

MODEL 375DA



Reduced Pressure Detector Assembly – Backflow Preventers 4" to 10"

| Repair Kit Components | | 4" | | | | | | | | 4" and 6" | | 6" | | | | | | 8" | | 8" and 10" | | | | | | 10" | | | | | |
|-----------------------|---|--------|----------------|---------|-----------|------------|------------|------------|--------------------|--------------------|---------------|--------|---------|-----------|------------|------------|------------|--------------------|--------------------|----------------|------|---------|-----------|------------|------------|--------------|----------------|-------------|-------|--------|--|
| Size Range | | 4-BK | RK4-RV375-HOSE | RK4-350 | RK4-350DA | RK4-375DAC | RK4-375CK1 | RK4-350CK2 | BRK4-LBF-SEAT1RTNR | BRK4-LBF-SEAT2RTNR | RK212-RV-ASSY | 6-BK | RK6-350 | RK6-350DA | RK6-375DAC | RK6-375CK1 | RK6-350CK2 | BRK6-LBF-SEAT1RTNR | BRK6-LBF-SEAT2RTNR | RK6-RV375-HOSE | 8-BK | RK8-350 | RK8-350DA | RK8-375DAC | RK8-375CK1 | RK8-450DACK2 | RK8-RV375-HOSE | RK8-RV-ASSY | 10-BK | | |
| 4" | | • | • | • | • | • | • | • | • | • | • | • | • | • | • | • | • | • | • | • | • | • | • | • | • | • | • | • | • | • | |
| 6" | | | | | | | | | | • | • | • | • | • | • | • | • | • | • | • | | | | | | | | | | | |
| 8" | | | | | | | | | | | | | | | | | | | | | • | • | • | • | • | • | • | • | • | | |
| 10" | | | | | | | | | | | | | | | | | | | | | • | • | • | • | • | • | • | • | • | • | |
| Item # | Item Description | | | | | | | | | | | | | | | | | | | | | | | | | | | | | | |
| 1 | Bolt, Flange | •(x16) | | | | | | | | | | •(x16) | | | | | | | | | | •(x16) | | | | | | | | •(x24) | |
| 2 | Nut, Flange | •(x16) | | | | | | | | | | •(x16) | | | | | | | | | | •(x16) | | | | | | | | •(x24) | |
| 3 | Gasket, Flange | •(x2) | | | | | | | | | | •(x2) | | | | | | | | | | •(x2) | | | | | | | | •(x2) | |
| 4 | O-Ring, Relief Valve | | | | | | | | | | • | | | | | | | | | | | | | | | | | | | • | |
| 5 | Relief Valve Assembly | | | | | | | | | | • | | | | | | | | | | | | | | | | | | | • | |
| 6 | Bolt, Relief Valve | | | | | | | | | | •(x2) | | | | | | | | | | | | | | | | | | | •(x2) | |
| 7 | Seat Retainer #1 | | | | | | | | •(x6) | | | | | | | • | | | | •(x6) | | | | | | •(x4) | •(x7) | | | | |
| 8 | Seat Retainer #2 | | | | | | | •(x2) | •(x12) | | | | | | | | | | •(x2) | •(x12) | | | | | | | | | | | |
| 9 | O-Ring, Seat | | •(x2) | •(x2) | •(x2) | • | • | | | | | | •(x2) | •(x2) | •(x2) | • | • | | | | | •(x2) | •(x2) | •(x2) | | | | | | | |
| 10 | Bolt, Poppet Retainer | | | | | | •(x4) | •(x4) | | | | | | | | | | | •(x4) | •(x4) | | | | | | •(x6) | •(x6) | | | | |
| 11 | Handle, #1 Poppet Assembly | | | | | | • | | | | | | | | | | | | • | | | | | | | •(x6) | •(x6) | | | | |
| 12 | Washer, Poppet Bolt | | | | | | •(x4) | •(x4) | | | | | | | | | | | •(x4) | •(x4) | | | | | | •(x6) | •(x6) | | | | |
| 13 | O-Ring, Poppet Bolt | | •(x8) | •(x8) | •(x8) | •(x4) | •(x4) | | | | | | •(x8) | •(x8) | •(x8) | •(x4) | •(x4) | | | | | •(x12) | •(x12) | •(x12) | •(x6) | •(x6) | | | | | |
| 14 | Poppet Retainer | | | | | | • | • | | | | | | | | | | | • | • | | | | | | • | • | | | | |
| 15 | Seal Ring | | •(x2) | •(x2) | •(x2) | • | • | | | | | | •(x2) | •(x2) | •(x2) | • | • | | | | | •(x2) | •(x2) | •(x2) | • | • | | | | | |
| 16 | Seat Assembly, #1 Poppet | | | | | | • | | | | | | | | | | | | • | | | | | | | • | | | | | |
| 17 | Seat Assembly, #2 Poppet | | | | | | • | | | | | | | | | | | | • | | | | | | | • | | | | | |
| 18 | Sensing Tube Fitting | • | | | | | | | | | • | | | | | | | | | | | • | | | | | | • | | | |
| 19 | Pilot Tube Assembly | • | | | | | | | | | | | | | | | | | | | | • | | | | | | • | | | |
| 20 | Sensing Tube | • | | | | | | | | | | | | | | | | | | | | • | | | | | | • | | | |
| 21 | Washer, Seat Retainer | | | | | | | | | | | | | | | | | | | | | | | | •(x4) | •(x7) | | | | | |
| | Bypass Rubber Repair Kit | | | | • | • | | | | | | | | • | • | | | | | | | | | • | • | | | | | | |
| | Relief Valve Rubber Repair Kit, 2-1/2" - 6" | | | | | • | | | | | | | | | • | | | | | | | | | | | | | | | | |
| | Relief Valve Rubber Repair Kit, 8" and 10" | | | | | | | | | | | | | | | | | | | | | | | | | • | | | | | |

Whole Goods (Available for individual sale)

| Item # | Item Description | 4" | | 6" | | 8" | | 10" | |
|--------|---------------------------------|---------------------|--|---------------------|--|---------------------|--|----------------------|--|
| 22 | Gate Valve, OS&Y (Fx) | 4-48OSY | | 6-48OSY | | 8-48OSY | | 10-48OSY | |
| | Gate Valve, OS&Y (GXF) | 4-48OSYGXF | | 6-48OSYGXF | | 8-48OSYGXF | | 10-48OSYGXF | |
| | Gate Valve, Post Indicator (Fx) | 4-48PIV | | 6-48PIV | | 8-48PIV | | 10-48PIV | |
| | Gate Valve, Post Indicator (Gx) | 4-48PIVGXF | | 6-48PIVGXF | | 8-48PIVGXF | | 10-48PIVGXF | |
| | Butterfly Valve (Gx) | 4-49GXF | | 6-49GXF | | 8-49GXF | | 10-49GXF | |
| 23 | Ball Valve, Fx | 12-850XL | | | | 34-850XL | | | |
| 24 | Ball Valve, Mx | 12-850MXL | | | | 34-850MXL | | | |
| 25 | Cover Retainer Assembly | 6-23 | | 8-23 | | | | 12-23 | |
| 26 | Grooved Coupling | 4-23 | | 6-23 | | 8-23 | | 10-23 | |
| 27 | Bulkhead Fitting | | | BHF1CXL-100 | | | | BHF2BXL-100 | |
| 28 | Sensing Line Bulkhead Fitting | | | BHF1BXL-100 | | | | BHF2CXL-100 | |
| 29 | Cover | RK4-LBF-VALVE-COVER | | RK6-LBF-VALVE-COVER | | RK8-LBF-VALVE-COVER | | RK10-LBF-VALVE-COVER | |
| 30 | Water Meter | | | | | 557-54XL | | | |
| 31 | Bypass Valve | | | | | 34-975XLD | | | |
| 32 | Bypass Assembly | RK4-375DA-BP-LM | | RK6-375DA-BP-LM | | RK8-375DA-BP-LM | | RK10-375DA-BP-LM | |
| | Bypass Rubber Repair Kit | | | RK34-975XLR | | | | | |
| | Relief Valve Rubber Repair Kit | | | RK212-375R | | | | RK8-375R | |

| Item No. | Repair Kit Description |
|--------------------|---|
| 4-BK | Flanged Kit, 4" |
| RK4-RV375-HOSE | Braided Hose Repair Kit, 4" 375DA |
| RK4-350 | Standard Repair Kit, 4" 375DA |
| RK4-350DA | Main and Bypass Rubber Repair Kit, 4" 375DA |
| RK4-375DAC | Complete Rubber Repair Kit, 4" 375DA |
| RK4-375CK1 | #1 Check Assembly Repair Kit, 4" 375DA |
| RK4-350CK2 | #2 Check Assembly Repair Kit, 4" 375DA |
| BRK4-LBF-SEAT1RTNR | Bulk #1 Seat Retainer Repair Kit, 4" 375DA |
| BRK4-LBF-SEAT2RTNR | Bulk #2 Seat Retainer Repair Kit, 4" 375DA |
| | 4" and 6" |
| RK212-RV-ASSY | Relief Valve Assembly Repair Kit, 4" - 6" 375DA |

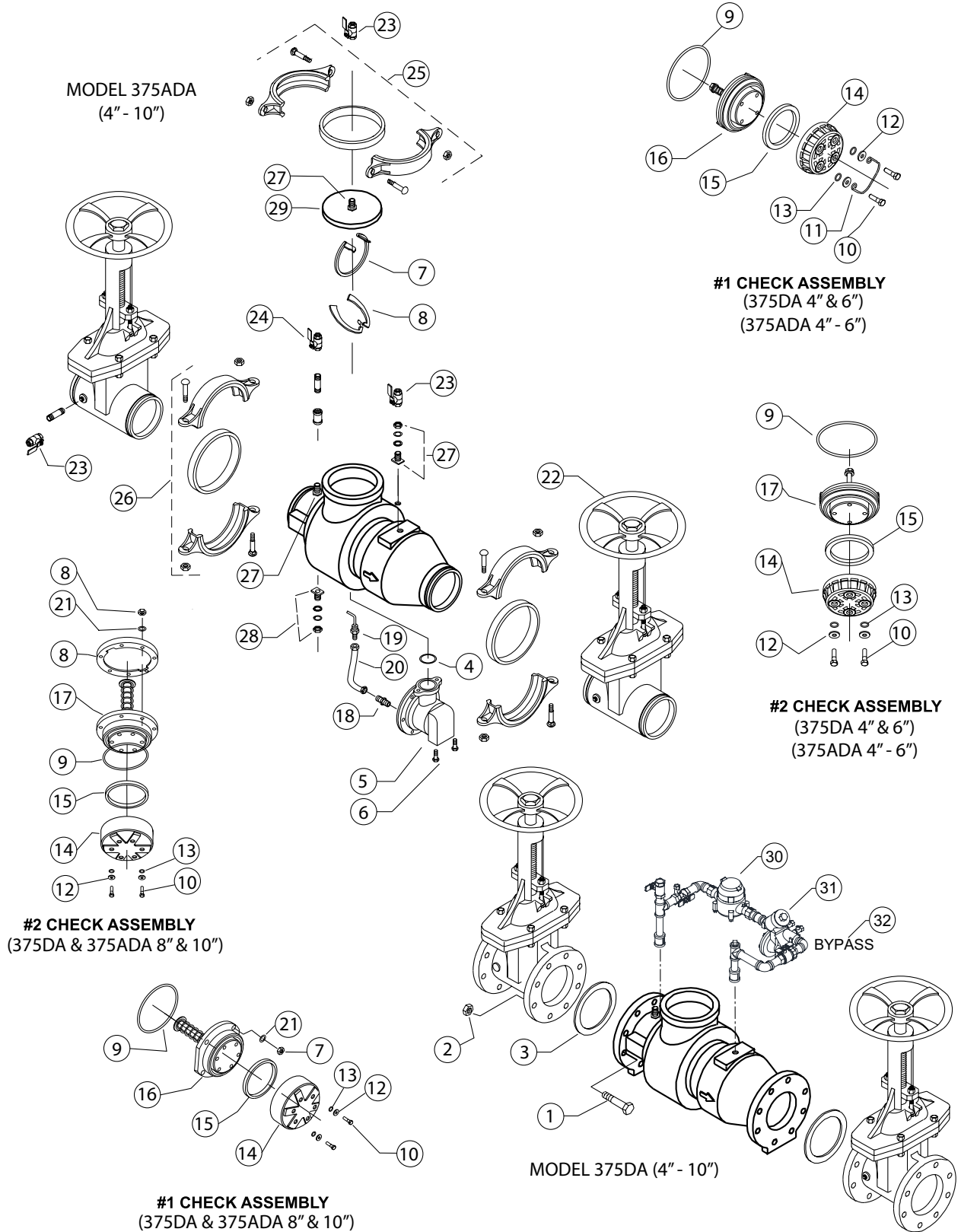
| Item No. | Repair Kit Description |
|--------------------|---|
| 6-BK | Flanged Kit, 6" |
| RK6-350 | Standard Repair Kit, 6" 375DA |
| RK6-350DA | Main and Bypass Rubber Repair Kit, 6" 375DA |
| RK6-350DAC | Complete Rubber Repair Kit, 6" 375DA |
| RK6-375CK1 | #1 Check Assembly Repair Kit, 6" 375DA |
| RK6-350CK2 | #2 Check Assembly Repair Kit, 6" 375DA |
| BRK6-LBF-SEAT1RTNR | Bulk #1 Seat Retainer Repair Kit, 6" 375DA |
| BRK6-LBF-SEAT2RTNR | Bulk #2 Seat Retainer Repair Kit, 6" 375DA |
| RK6-RV375-HOSE | Braided Hose Repair Kit, 6" 375DA |
| | 8" |
| 8-BK | Flanged Kit, 8" |

| Item No. | Repair Kit Description |
|----------------|---|
| | 8" and 10" |
| RK8-350 | Standard Repair Kit, 8" and 10" 375DA |
| RK8-350DA | Main and Bypass Rubber Repair Kit, 8" and 10" 375DA |
| RK8-375DAC | Complete Rubber Repair Kit, 8" and 10" 375DA |
| RK8-375CK1 | #1 Check Assembly Repair Kit, 8" and 10" 375DA |
| RK8-450DACK2 | #2 Check Assembly Repair Kit, 8" and 10" 375DA |
| RK8-RV375-HOSE | Braided Hose Repair Kit, 8" and 10" 375DA |
| RK8-RV-ASSY | Relief Valve Assembly Repair Kit, 8" and 10" 375DA |
| | 10" |
| 10-BK | Flanged Kit, 10" |

MODEL 375DA

Reduced Pressure Detector Assembly – Backflow Preventers 4" to 10"

Parts Drawing



MODEL 375ADA
(4" - 10")

#1 CHECK ASSEMBLY
(375DA 4" & 6")
(375ADA 4" - 6")

#2 CHECK ASSEMBLY
(375DA 4" & 6")
(375ADA 4" - 6")

#2 CHECK ASSEMBLY
(375DA & 375ADA 8" & 10")

#1 CHECK ASSEMBLY
(375DA & 375ADA 8" & 10")

MODEL 375DA (4" - 10")