

# MODEL 975XL2 and 975XL

## Reduced Pressure Principle – Backflow Preventers 1/4" to 1/2"



Item Number	Description	1/4"	3/8"	1/2"
1	BALL VALVE, TAPPED	12-850TMXL/971B-2	12-850TMXL/971A-2	12-850TMXL
2	TEST COCK	18-860XL	18-860XL	18-860XL
3	CHECK COVER	971-3XL2-010F	971-3XL2-010F	971-3XL2-010F
4	O-RING, COVER	123N	123N	123N
5	NO.2 CHECK SPRING	951-33	951-33	951-33
6	NO.1 CHECK SPRING	971-33	971-33	971-33
7	POPPET	951-30	951-30	951-30
8	SEAL RING	951-12S	951-12S	951-12S
9	SEAL RING RETAINER	951-14	951-14	951-14
10	RETAINING BOLT	951-11	951-11	951-11
11	POPPET ASSEMBLY	951-300S	951-300S	951-300S
12	CHECK SEAT	951-18	951-18	951-18
13	O-RING, CHECK SEAT	020N	020N	020N
14	BALL VALVE	12-850MXL/971B-2	12-850MXL/971A-2	12-850MXL
15	O-RING, RELIEF VALVE SEAT	WK-016N	WK-016N	WK-016N
16	RELIEF VALVE SEAT	971-18	971-18	971-18
17	RELIEF VALVE SPRING	971A-33	971A-33	971A-33
18	RELIEF VALVE RETAINING BOLT	971-11	971-11	971-11
19	RELIEF VALVE SEAL RING RETAINER	971-14	971-14	971-14
20	RELIEF VALVE SEAL RING	971-12S	971-12S	971-12S
21	RELIEF VALVE LOWER PLUNGER	971-34A	971-34A	971-34A
22	RELIEF VALVE DIAPHRAGM	971-43	971-43	971-43
23	RELIEF VALVE UPPER PLUNGER	971-34	971-34	971-34
24	O-RING, RELIEF VALVE STEM	011N	011N	011N
25	RELIEF VALVE STEM ASSY.	971-50S	971-50S	971-50S
26	RELIEF VALVE COVER BOLTS	971-11A	971-11A	971-11A
	RV. and CHECK SEAT TOOL	971-SEATTOOL		
27	RELIEF VALVE COVER	971-3AXL2-010F	971-3AXL2-010F	971-3AXL2-010F

### Repair Kit, Complete

#### RK14-975XL Size 1/4", 3/8", 1/2" Only

Part Number	Qty.	Description
951-12S	2	SEAL RING
971-12S	1	RELIEF VALVE SEAL RING
971-43	1	DIAPHRAGM
123N	2	O-RING, COVER
011N	1	O-RING, RELIEF VALVE STEM
971-33	1	NO. 1 CHECK SPRING
951-33	1	NO.2 CHECK SPRING
971A-33	1	RELIEF VALVE SPRING

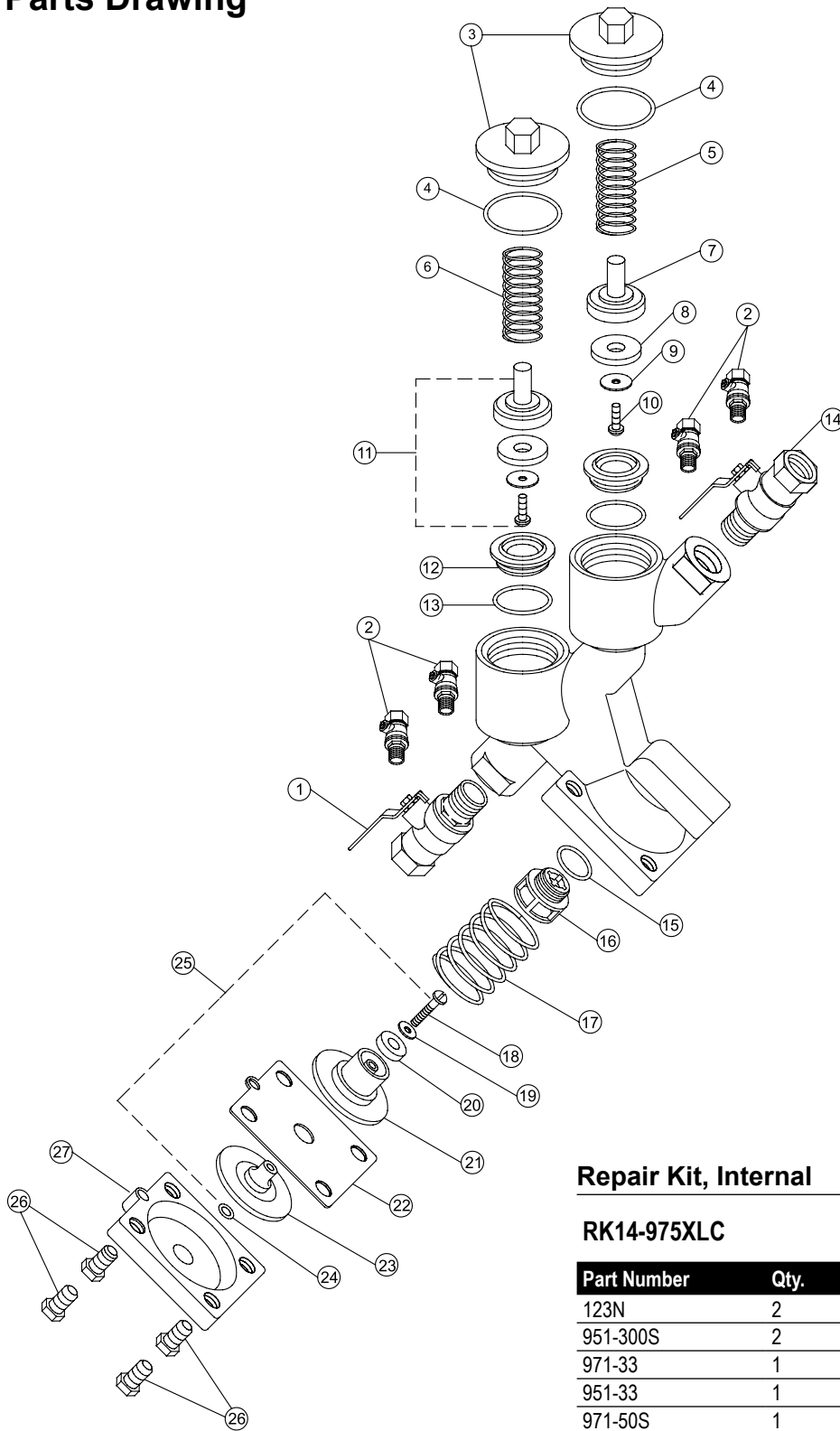
### Repair Kit, Rubber

#### RK14-975XLR Size 1/4", 3/8", 1/2" Only

Part Number	Qty.	Description
951-12S	2	SEAL RING
971-12S	1	RELIEF VALVE SEAL RING
971-43	1	DIAPHRAGM
123N	2	O-RING, COVER
011N	1	O-RING, RELIEF VALVE STEM

# MODEL 975XL2 and 975XL – 1/4" to 1/2"

## Parts Drawing



### Repair Kit, Internal

**RK14-975XLC**

**Size 1/4", 3/8" and 1/2" Only**

Part Number	Qty.	Description
123N	2	O-RING, COVER
951-300S	2	POPPET ASSEMBLY
971-33	1	NO.1 CHECK SPRING
951-33	1	NO.2 CHECK SPRING
971-50S	1	RELIEF VALVE STEM ASSY.
971A-33	1	RELIEF VALVE SPRING
971-18	1	RELIEF VALVE SEAT
020N	2	O-RING, CHECK SEAT
951-18	2	CHECK SEAT
WK-016N	1	O-RING, RELIEF VALVE SEAT