



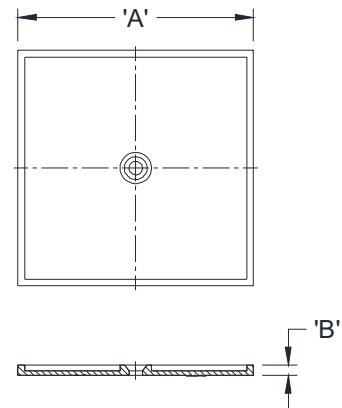
# CLEANOUT REPLACEMENT COVERS

Dimensional Data (inches and [ mm ]) are Subject to Manufacturing Tolerances and Change Without Notice

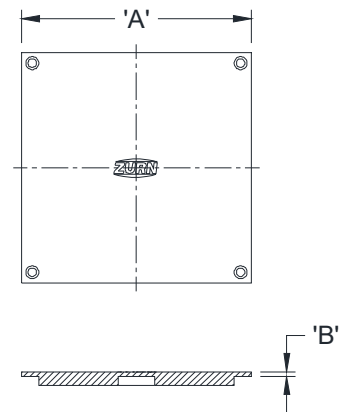
## Notes:

1. Casting number indicates a part number & is generally located on the underside of each cleanout cover.
2. Order number used for all ordering purposes.
3. Standard Cover Material is Cast Iron. Orders Numbers may vary for different materials.
  - a. 'DC' Duresist covers may be available where extra strength is necessary.
  - b. 'PB' indicates a Bronze finish.
  - c. 'PS' indicates a Stainless Steel finish.
  - d. 'PN' indicates a Nickel Bronze finish.
4. Contact your local sales representative for all order inquiries & assistance on material availability as these may vary from part to part.

Z1400, Z1406 (Recessed for Tile)				
Item	A	B	Item Number	Casting No.
1	6-9/16	9/32	PN1400-CVR-TX-5-USA	36931-1
2	7-11/16	9/32	PN1400-TX-6-CVR	55588-1
3	8-11/16	9/32	PN1400-CVR-TX-8-USA	55589-1



Z1460 (Smooth Cover)				
Item	A	B	Item Number	Casting No.
4	6-11/32	1/8	PN1460-7X7-CVR-USA	22068-1
5	8-11/32	1/8	PN1460-9X9-CVR-USA	20801-2
6	9-11/32	1/8	PN1460-10X10-CVR-USA	20743-1
7	10-11/32	1/8	PN1460-11X11-CVR-USA	22704-1

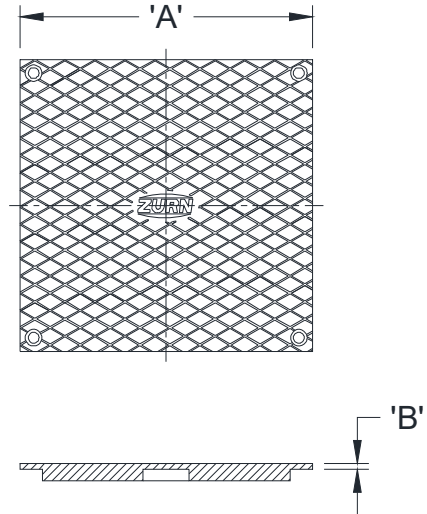




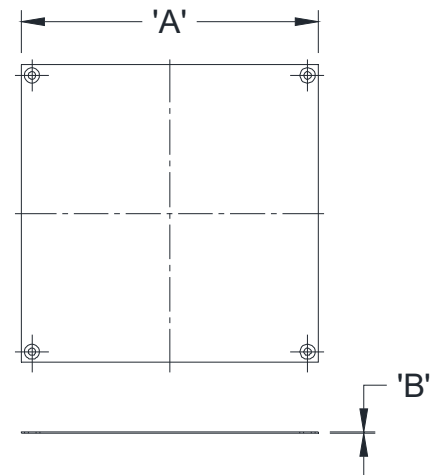
# CLEANOUT REPLACEMENT COVERS

Dimensional Data (inches and [ mm ]) are Subject to Manufacturing Tolerances and Change Without Notice

Z1460 (Scoriated Cover)				
Item	A	B	Item Number	Casting No.
8	6-11/32	1/8	PN1460-SC-7-CVR-USA	22068-2
9	8-11/32	1/8	PN1460-SC-9-CVR-USA	20801-1
10	9-11/32	1/8	PB1460-SC-10-CVR-USA	20743-2
11	10-11/32	1/8	PB1460-SC-11-CVR-USA	22704-2



Z1462				
Item	A	B	Item Number	Casting No.
12	6-13/32	0.060	PN1462-6-COVER-USA	33099-1
13	7-15/16	0.060	PB1462-8-COVER-USA	32988-1
14	9-15/16	0.060	PB1462-10-COVER-USA	32987-1
15	11-15/16	0.060	PN1462-12-COVER-USA	32989-1

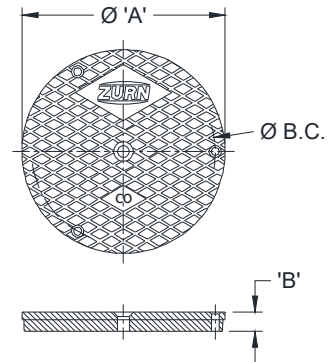




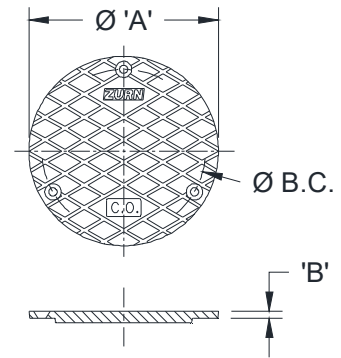
# CLEANOUT REPLACEMENT COVERS

Dimensional Data (inches and [ mm ]) are Subject to Manufacturing Tolerances and Change Without Notice

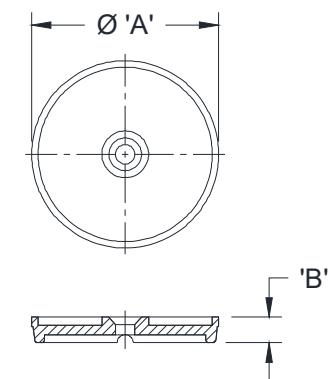
Z1400, Z1402, Z1404, Z1406					
Item	A	B	B.C.	Item Number	Casting No.
16	3-1/2	5/8	2-7/8	P1400-COVER-2-USA	22126-7
17	4-1/2	5/8	3-7/8	P1400-COVER-3	22126-8
18	6-1/2	5/8	5-7/8	P1400-COVER-5	22126-1
19	7-1/2	5/8	6-7/8	P1400-COVER-6	22126-3
20	8-1/2	5/8	8	P1400-COVER-8	22126-6



ZN1400, ZB1400, ZN1402, ZB1402, ZN1404, ZN1406					
Item	A	B	B.C.	Item Number	Casting No.
21	3-5/8	1/8	3-1/8	574750012	57474-1
22	4-5/8	1/8	4-1/8	PN1400-COVER-3	57476-1
23	5-5/8	1/8	5-1/8	575010012	57501-1
24	6-3/4	1/8	6-1/8	573120012	57312-1
25	7-3/4	3/16	7-1/8	586360012	58636-1
26	8-3/4	3/16	8-1/8	PN1400-COVER-8	58638-1



Z1400, Z1402, Z1404, Z1406 (Recessed for Tile)				
Item	A	B	Item Number	Casting No.
27	3-5/8	1/2	PB1400-CVR-X2-USA	45131-1
28	4-5/8	5/8	PN1400-COVER-X3-USA	45132-1
29	5-5/8	5/8	PN1400-CVR-X2-3IC-US	45130-1

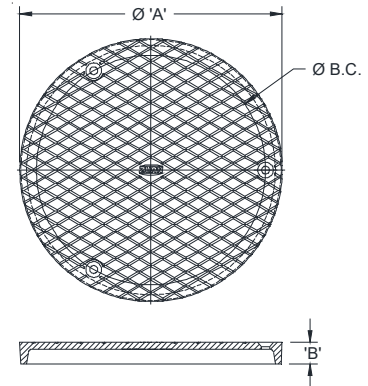




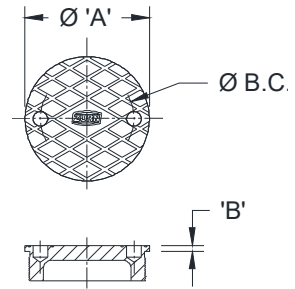
# CLEANOUT REPLACEMENT COVERS

Dimensional Data (inches and [ mm ]) are Subject to Manufacturing Tolerances and Change Without Notice

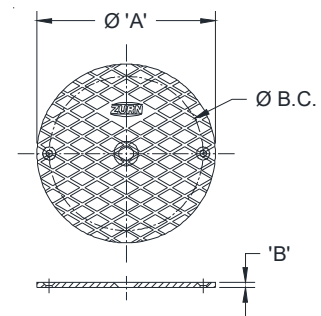
Z1454					
Item	A	B	B.C.	Item Number	Casting No.
30	8-1/4	9/16	7-15/16	P1454-COVER	7549-2



Z1456					
Item	A	B	B.C.	Item Number	Casting No.
31	2-21/32	1/8	2	P1745-2BW-COVER	6120-2
32	3-7/16	5/32	1-1/2	P1745-2IC-COVER	17260-1
33	4-31/64	5/32	3	PN1456-4IP-COVER-USA	14774-1
34	4-31/32	1/8	3	PN1456-3IC-COVER-USA	28701-1
35	5-31/32	5/32	4	PN1456-4IC-COVER	7550-1
36	7-3/4	1/8	4	PN1456-6IC-COVER-USA	8165-1
37	7-13/16	5/32	4	PN1456-5-6IP-CVR-USA	17238-1
38	9-7/8	3/16	6	P1745-8BW-COVER	2454-1



Z1457					
Item	A	B	B.C.	Item Number	Casting No.
39	4-9/16	1/8	3-15/16	PN1457-2-3-COVER-USA	7311-2
40	5-3/4	1/8	5	PB1457-4-COVER	7309-2
41	6-15/16	1/8	6-1/16	PB1457-5CVR-2HOLE-US	7322-1

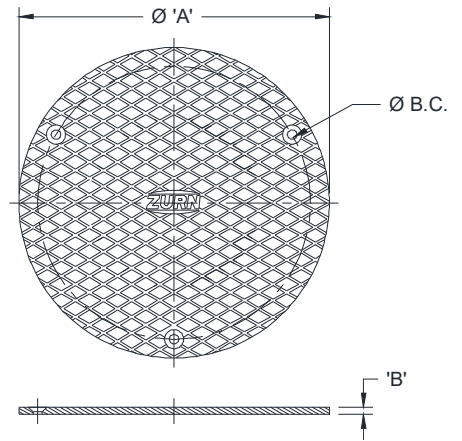




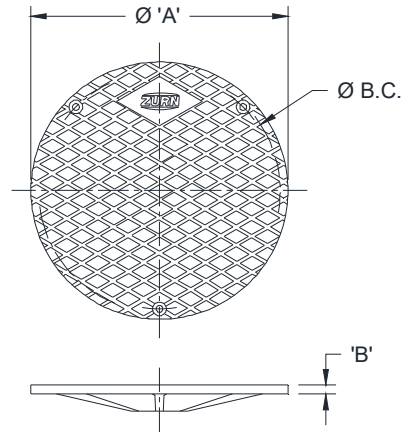
# CLEANOUT REPLACEMENT COVERS

Dimensional Data (inches and [ mm ]) are Subject to Manufacturing Tolerances and Change Without Notice

Z1457					
Item	A	B	B.C.	Item Number	Casting No.
42	8-1/4	3/16	7-1/4	PN1457-6-COVER-USA	7323-1
43	10-3/16	3/16	9-3/16	PN1457-8-COVER-USA	7332-1



Z1463					
Item	A	B	B.C.	Item Number	Casting No.
44	6-1/4	7/32	5-3/4	PN1463-7-COVER-USA	50160-1
45	10-1/4	7/32	9-3/4	PN1463-11-COVER-USA	50159-1



Z1474 with Lift Ring					
Item	A	B	B.C.	Item Number	Casting No.
46	8-1/16	1-3/4	6-7/8	P1474-COVER-ASSY	56966-2

