



Z882

End/Bottom Outlets

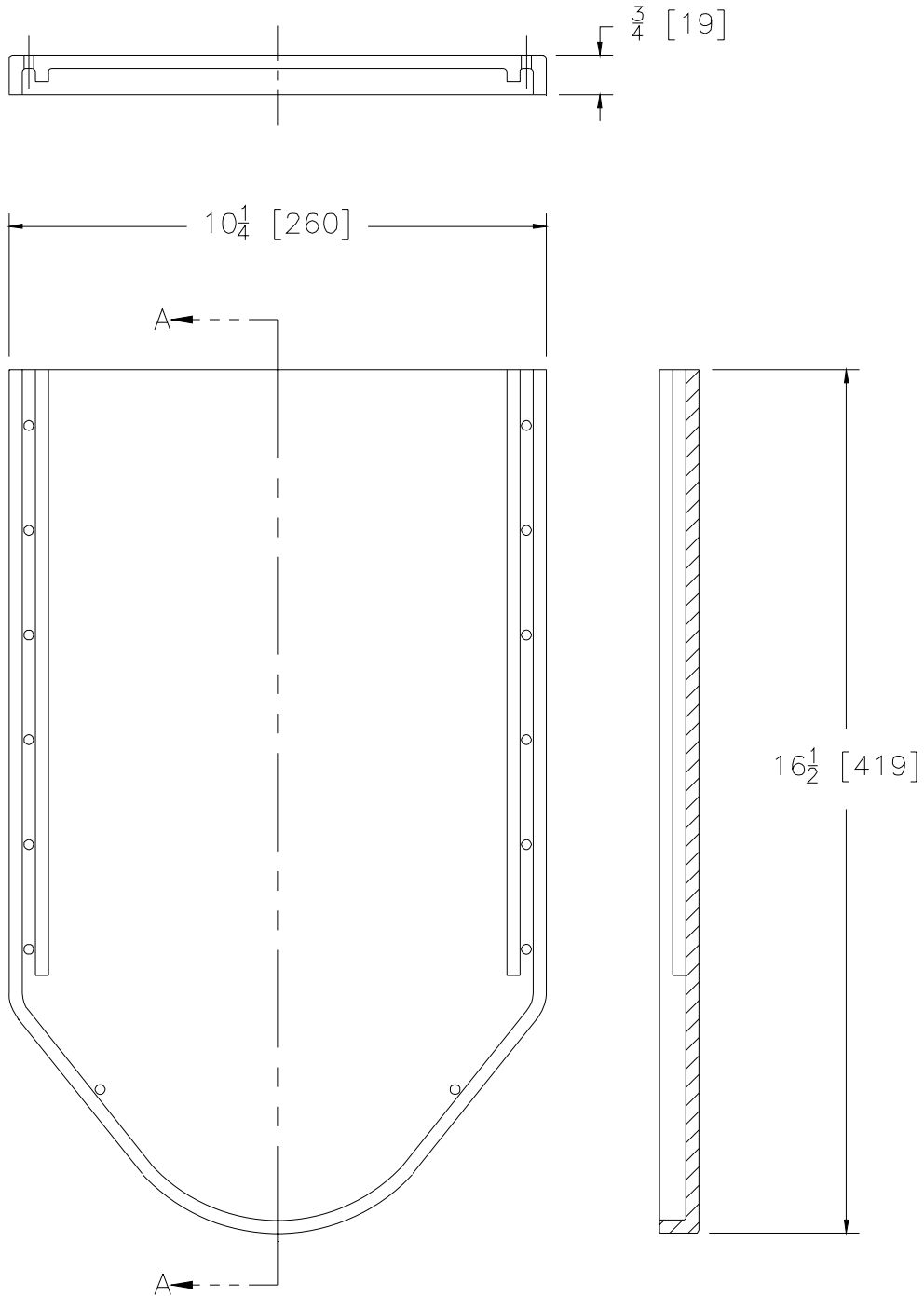
Dimensional Data (inches and [mm]) are Subject to Manufacturing Tolerances and Change Without Notice

Please Check ✓	Item No.	Part Number	Item I.D.
	1	62205-001	P882-E1

ENGINEERING SPECIFICATION: ZURN Z882-E1

Closed End for 12 [301] wide Trench Drainage System. Endcap is made of 1/4 [6] thick HDPE.

****Unit to be cut in field per channel depth.**



SECTION A-A



Z882

End/Bottom Outlets

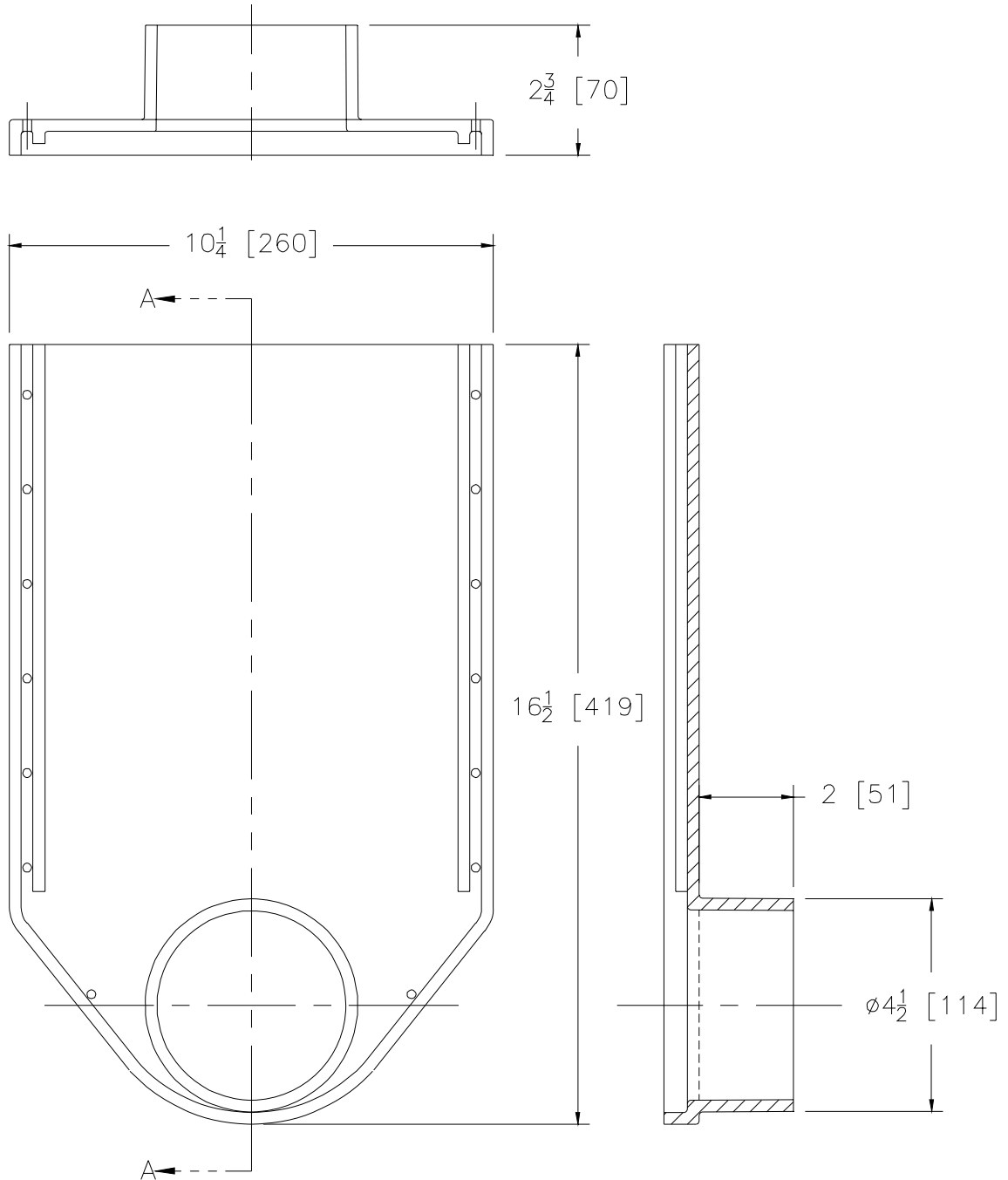
Dimensional Data (inches and [mm]) are Subject to Manufacturing Tolerances and Change Without Notice

Please Check ✓	Item No.	Part Number	Item I.D.
	2	62205-002	P882-E4

ENGINEERING SPECIFICATION: ZURN Z882-E4

6 [102] No-Hub End Outlet for 12 [301] wide Trench Drainage System. Outlet is made of 1/4 [6] thick HDPE and is designed for No-Hub applications using an adapter (Supplied by other).

****Unit to be cut in field per channel depth.**



SECTION A-A



Z882

End/Bottom Outlets

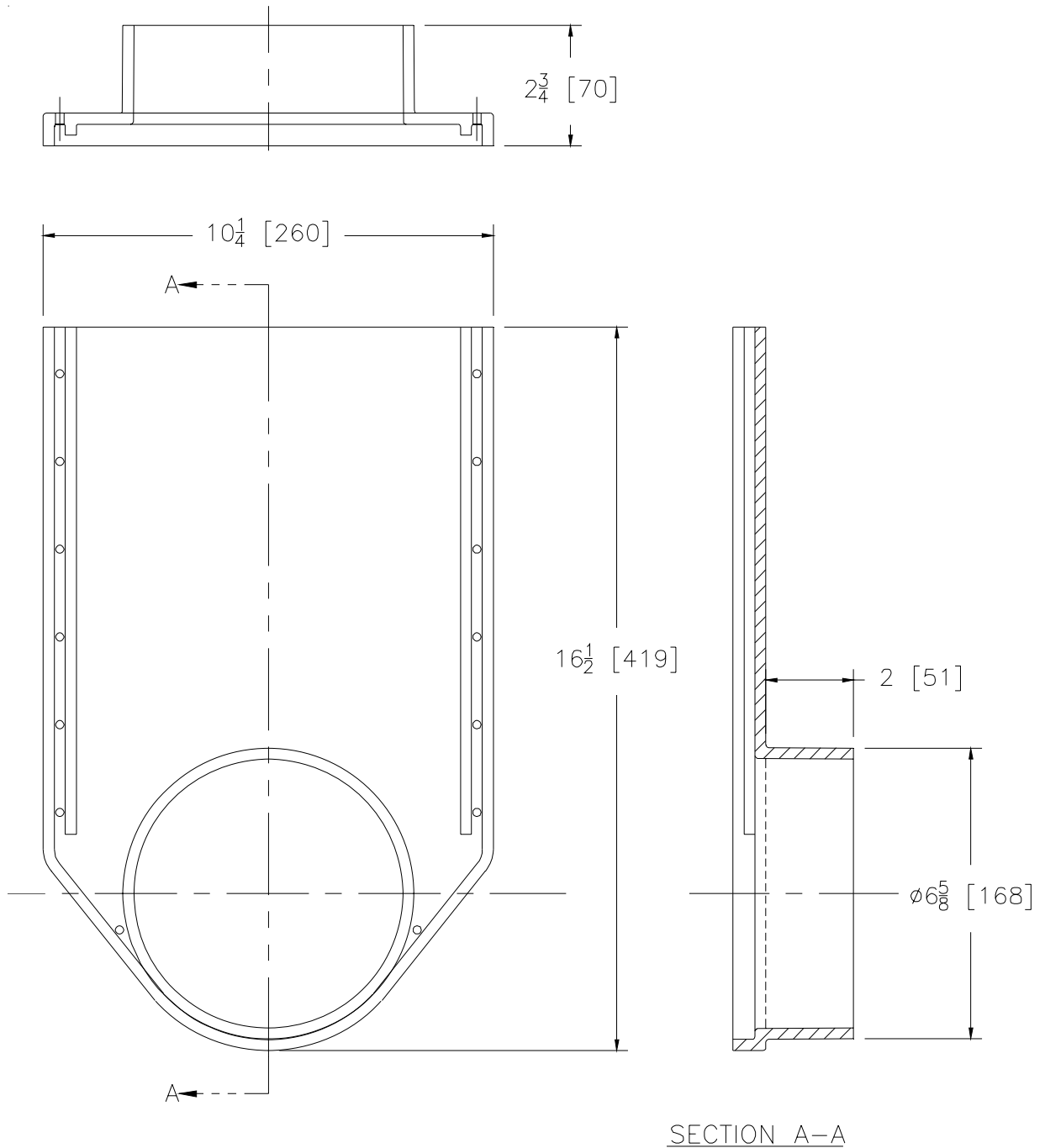
Dimensional Data (inches and [mm]) are Subject to Manufacturing Tolerances and Change Without Notice

Please Check ✓	Item No.	Part Number	Item I.D.
	3	62205-003	P882-E6

ENGINEERING SPECIFICATION: ZURN Z882-E6

6 [152] No-Hub End Outlet for 12 [301] wide Trench Drainage System. Outlet is made of 1/4 [6] thick HDPE and is designed for No-Hub applications using an adapter (Supplied by other).

****Unit to be cut in field per channel depth.**





Z882

End/Bottom Outlets

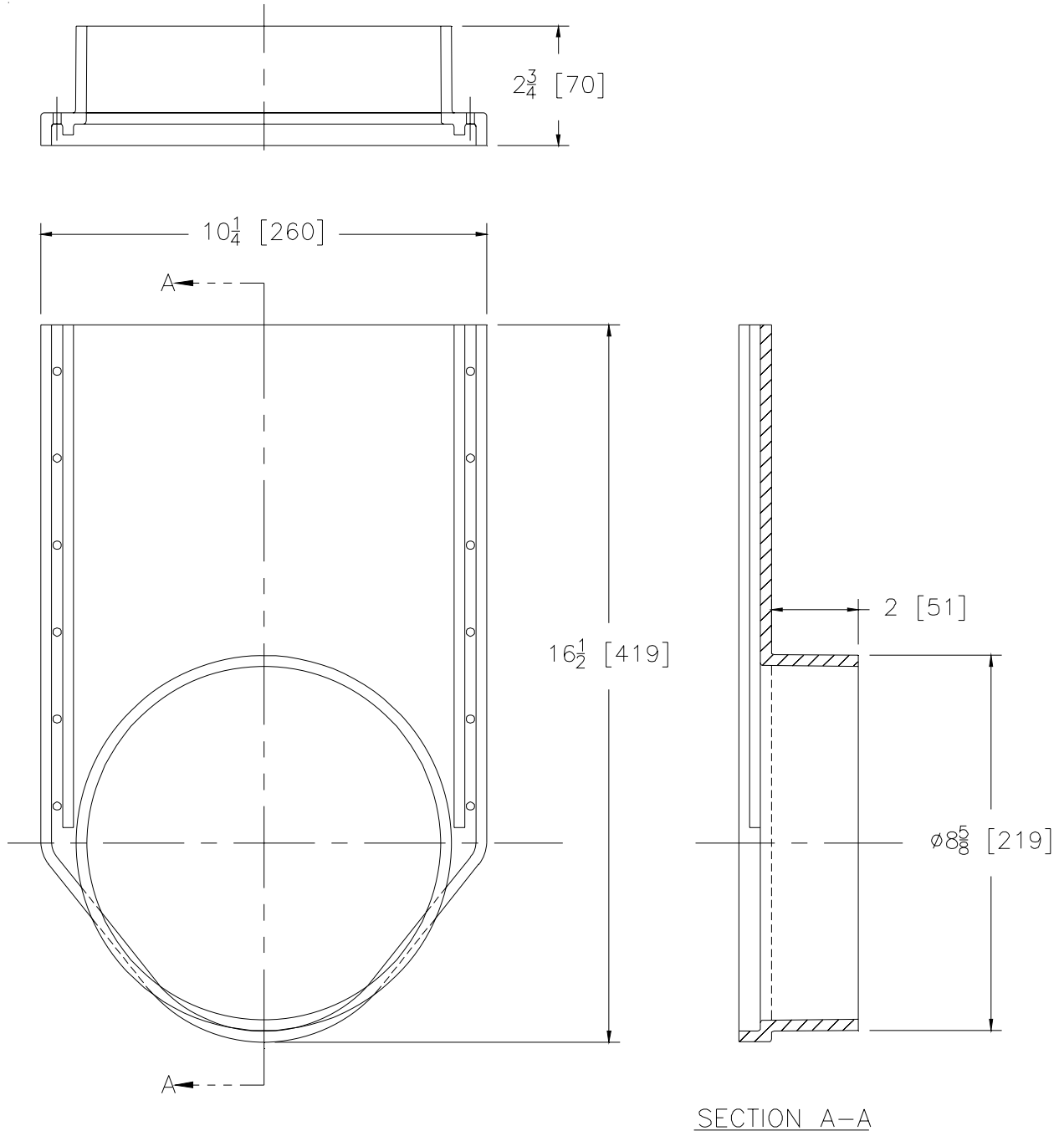
Dimensional Data (inches and [mm]) are Subject to Manufacturing Tolerances and Change Without Notice

Please Check ✓	Item No.	Part Number	Item I.D.
	4	62205-004	P882-E8

ENGINEERING SPECIFICATION: ZURN Z882-E8

8 [203] No-Hub End Outlet for 12 [301] wide Trench Drainage System. Outlet is made of 1/4 [6] thick HDPE and is designed for No-Hub applications using an adapter (Supplied by other).

****Unit to be cut in field per channel depth.**





Z882

End/Bottom Outlets

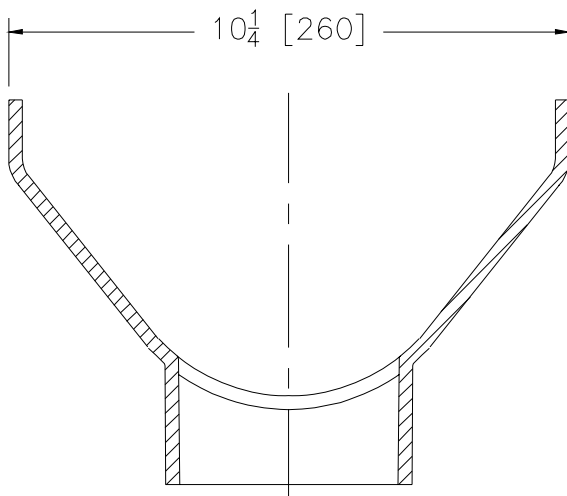
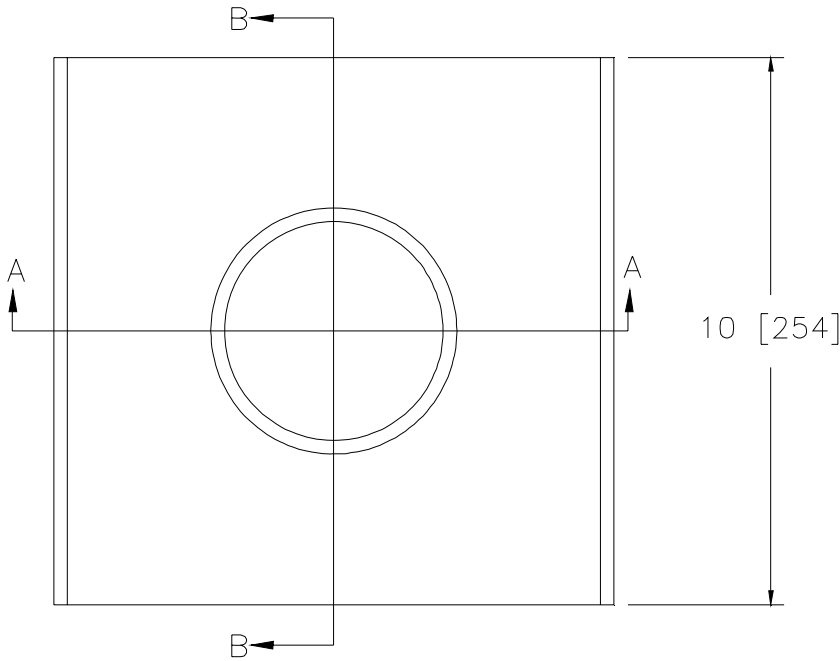
Dimensional Data (inches and [mm]) are Subject to Manufacturing Tolerances and Change Without Notice

Please Check	Item No.	Part Number	Item I.D.
✓	5	62206-001	P882-U4

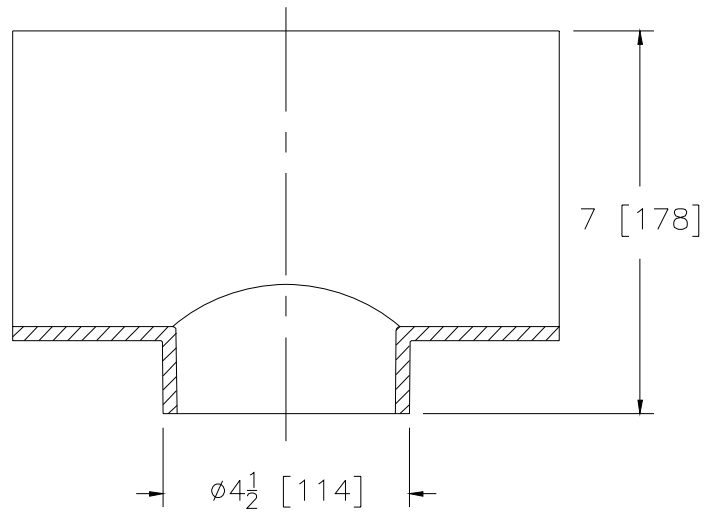
ENGINEERING SPECIFICATION: ZURN Z882-U4

4 [102] No-Hub Bottom Outlet for 12 [301] wide Trench Drainage System. Outlet is made of 1/4 [6] thick HDPE and is designed for No-Hub applications using an adapter (Supplied by other).

****Unit to be cut in field per channel depth.**



SECTION A-A



SECTION B-B



Z882

End/Bottom Outlets

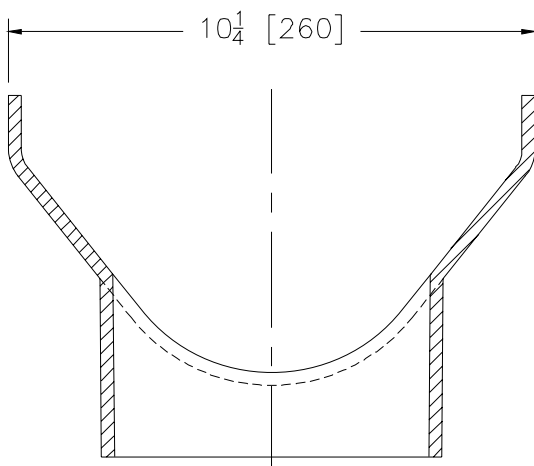
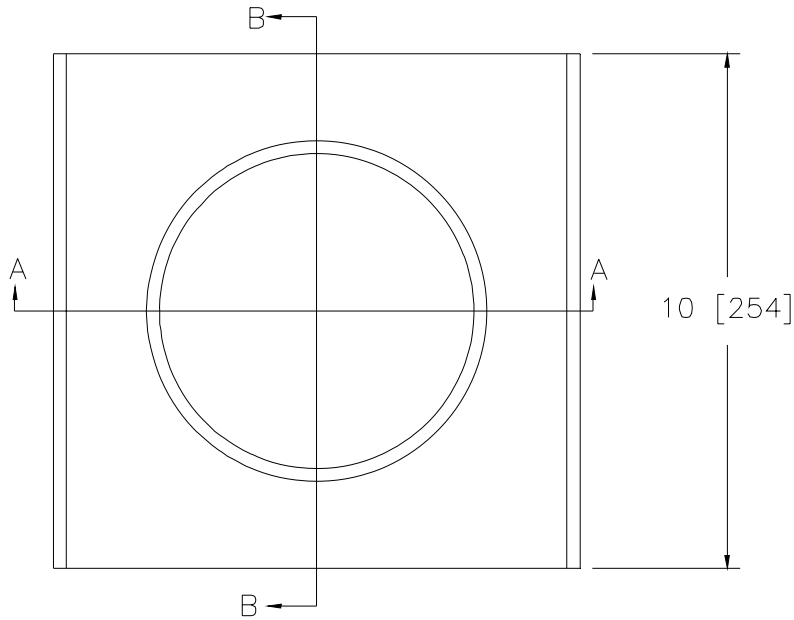
Dimensional Data (inches and [mm]) are Subject to Manufacturing Tolerances and Change Without Notice

Please Check ✓	Item No.	Part Number	Item I.D.
	6	62206-002	P882-U6

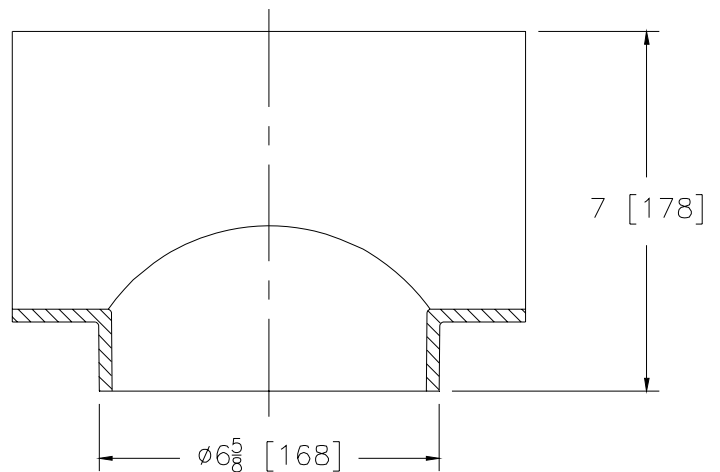
ENGINEERING SPECIFICATION: ZURN Z882-U6

6 [152] No-Hub Bottom Outlet for 12 [301] wide Trench Drainage System. Outlet is made of 1/4 [6] thick HDPE and is designed for No-Hub applications using an adapter (Supplied by other).

****Unit to be cut in field per channel depth.**



SECTION A-A



SECTION B-B



Z882

End/Bottom Outlets

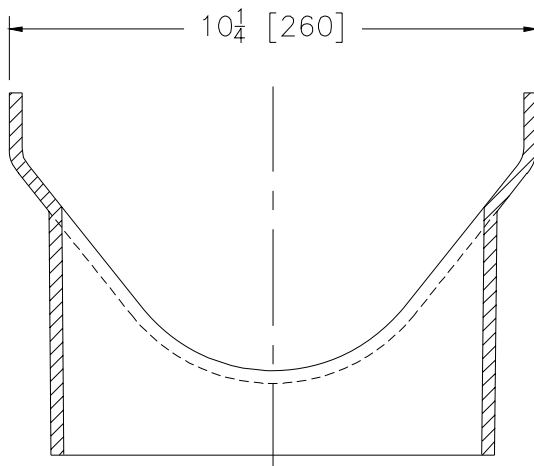
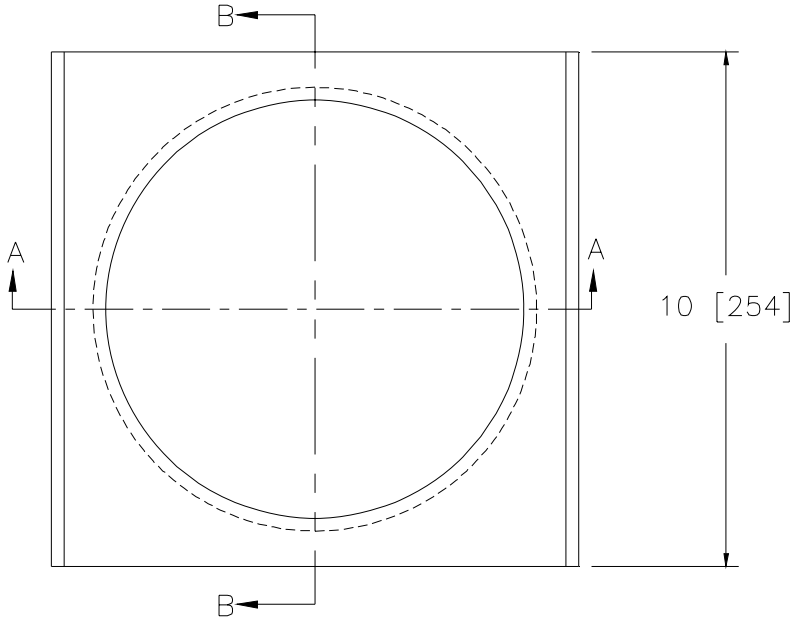
Dimensional Data (inches and [mm]) are Subject to Manufacturing Tolerances and Change Without Notice

Please Check ✓	Item No.	Part Number	Item I.D.
	7	62206-003	P882-U8

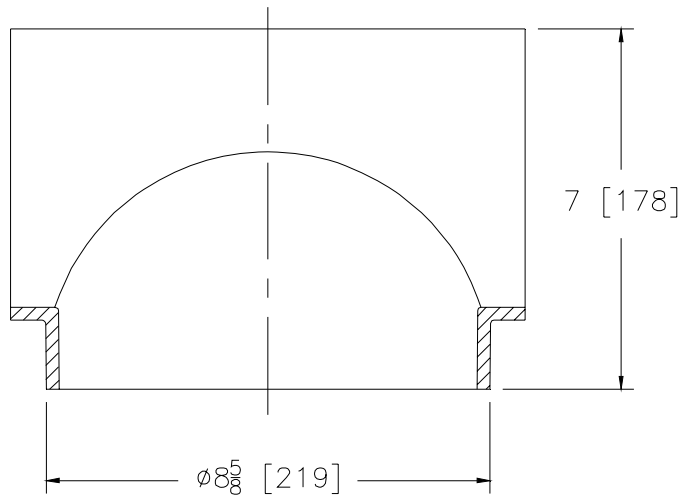
ENGINEERING SPECIFICATION: ZURN Z882-U8

8 [203] No-Hub Bottom Outlet for 12 [301] wide Trench Drainage System. Outlet is made of 1/4 [6] thick HDPE and is designed for No-Hub applications using an adapter (Supplied by other).

**Unit to be cut in field per channel depth.



SECTION A-A



SECTION B-B