

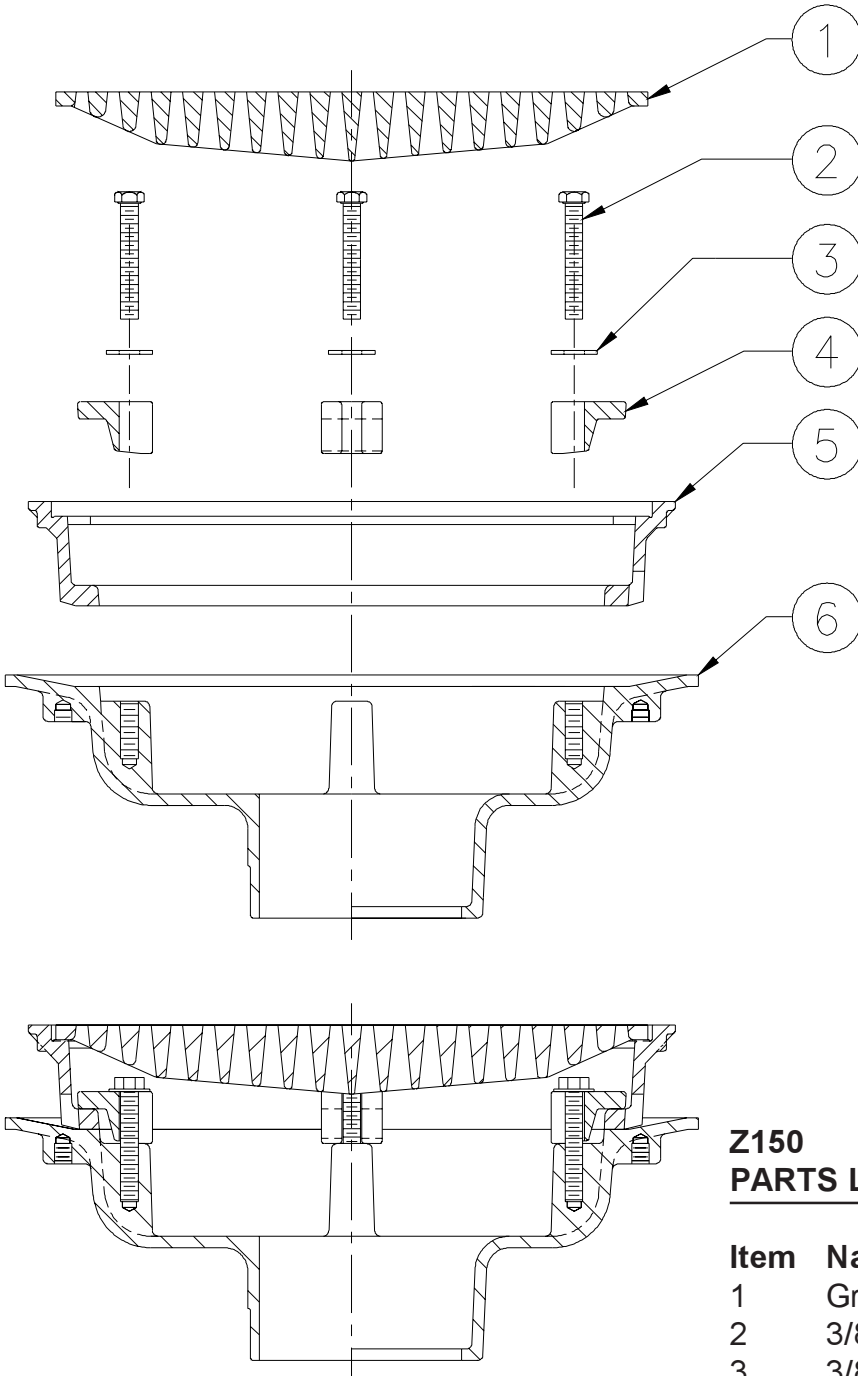


Z150

14" PROM-DECK DRAIN

EXPLODED PARTS LIST

Dimensional Data (inches and [mm]) are Subject to Manufacturing Tolerances and Change Without Notice



Z150

PARTS LIST

Item	Name	Part Number	Quan.
1	Grate	52095	1
2	3/8 Cap Screw	26050	4
3	3/8 Nom. Washer	14858	4
4	Clamp Dog	67175	4
5	Frame	67174	1
6	Body	31421	1

Form # RD58

Date: 5/10/04

C.N. No. 92180

Rev.

ZURN INDUSTRIES, INC. ♦ SPECIFICATION DRAINAGE OPERATION ♦ 1801 Pittsburgh Ave. ♦ Erie, PA 16514
Phone: 814/455-0921 ♦ Fax: 814/454-7929 ♦ World Wide Web: www.zurn.com

In Canada: ZURN INDUSTRIES LIMITED ♦ 3544 Nashua Drive ♦ Mississauga, Ontario L4V1L2 ♦ Phone: 905/405-8272 Fax: 905/405-1292