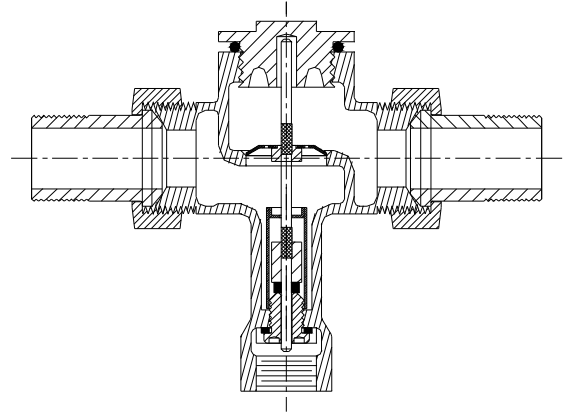
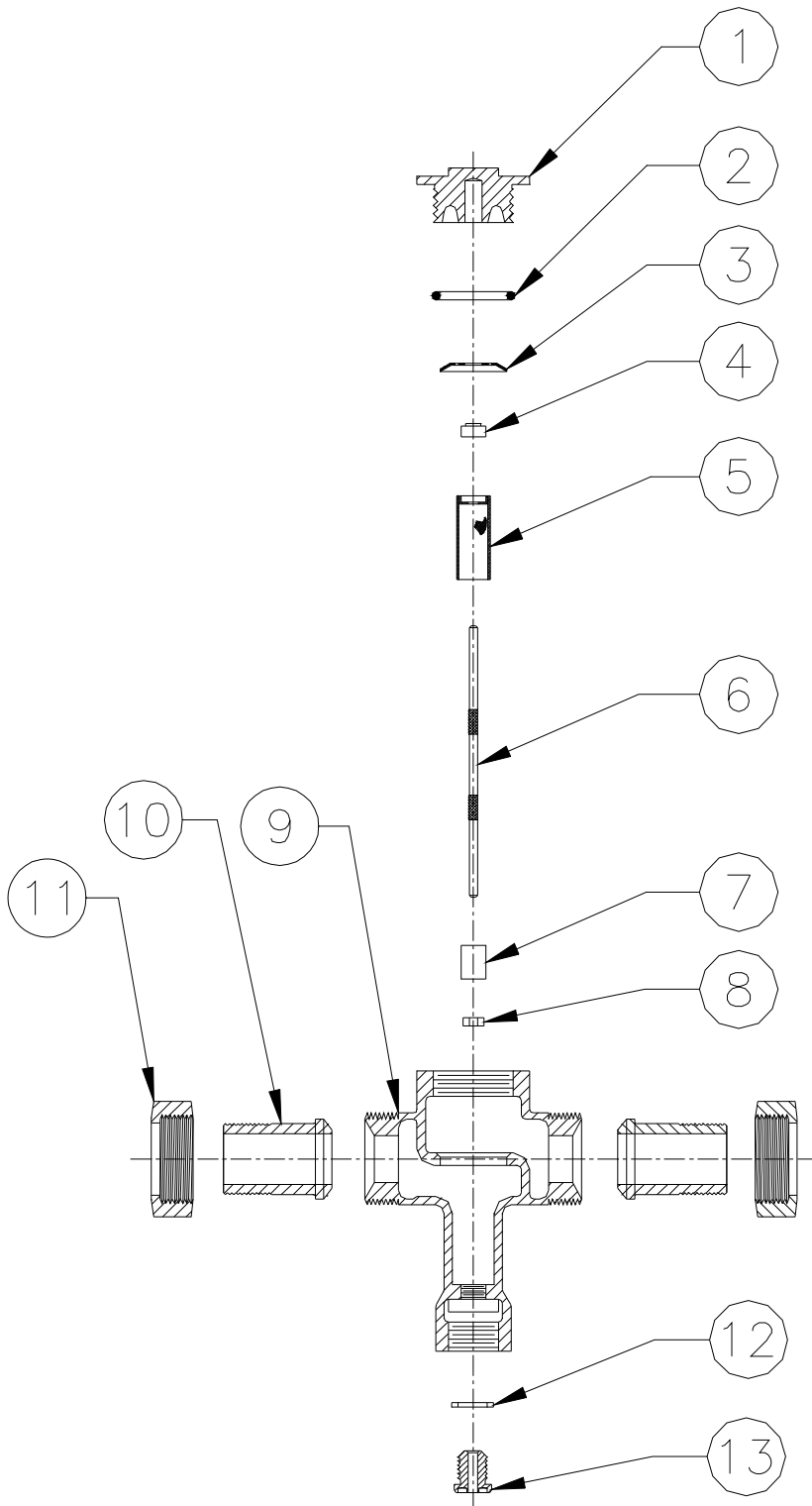




Z1022

SANI-GARD AUTOMATIC TRAP PRIMER EXPLODED PARTS LIST (1959-1984)

Dimensional Data (inches and [mm]) are Subject to Manufacturing Tolerances and Change Without Notice



NOTE: This style trap primer is available as 1022-XL Low lead San-Gard Automatic Trap Primer. When the 3/4" [19] IP male union connection is specified.

Z1022 PARTS LIST (1959-1984)

Item	Name	Part Number	Quan.
1	Cover	32381	1
*2	O-ring	23750	1
*3	Valve Disc	32382	1
*4	Disc Support	38427	1
*5	Screen	33135	1
*6	Stem	47398	1
*7	Valve Seat	38426	1
*8	Seat Washer	23443	1
9	Body	32380	1
10	Union Flange	32687	2
11	Union Nut	22161	2
*12	Fiber Washer	23443	1
*13	Seat Plug	32503	1

***Parts are available in repair kit bag#66955-181-9 (Z1022-RK-05)**