



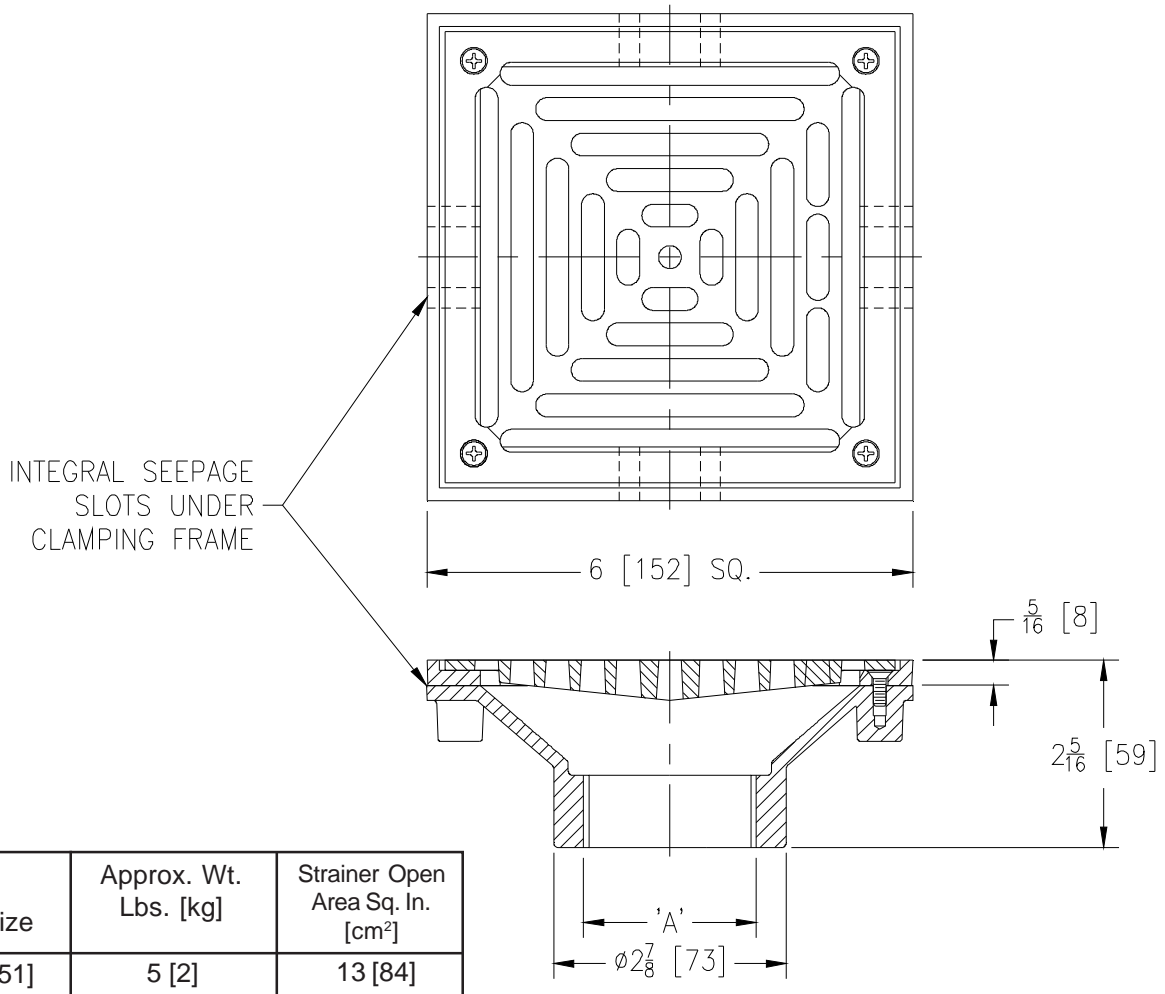
Z461

6 [152] SQ. MODULAR NON-ADJUSTABLE FLOOR DRAIN
W/ CLAMPING FRAME

SPECIFICATION SHEET

TAG _____

Dimensional Data (inches and [mm]) are Subject to Manufacturing Tolerances and Change Without Notice



'A' Pipe Size	Approx. Wt. Lbs. [kg]	Strainer Open Area Sq. In. [cm ²]
2 [51]	5 [2]	13 [84]

ENGINEERING SPECIFICATION: ZURNZ461

Floor and shower drain, Dura-Coated cast iron low-profile body with 2 [51] bottom outlet, combination nickel bronze membrane clamp and frame with seepage slots, and square heel-proof, slotted light-duty secured strainer.

OPTIONS (Check/specify appropriate options)

PIPE SIZE

2 [51]

(Specify size/type) **OUTLET**

_____ IP Threaded

PREFIXES

_____ ZN D.C.C.I. Body w/ Polished Nickel Bronze Top*

SUFFIXES

- _____ -AR Acid Resisting Epoxy Coated Cast Iron
- _____ -CP Chrome-Plated Top
- _____ -DP Decorative Polished Top
- _____ -G Galvanized Cast Iron
- _____ -PC Protective Cover
- _____ -VP Vandal-Proof Secured Top

* Regularly furnished unless otherwise specified.