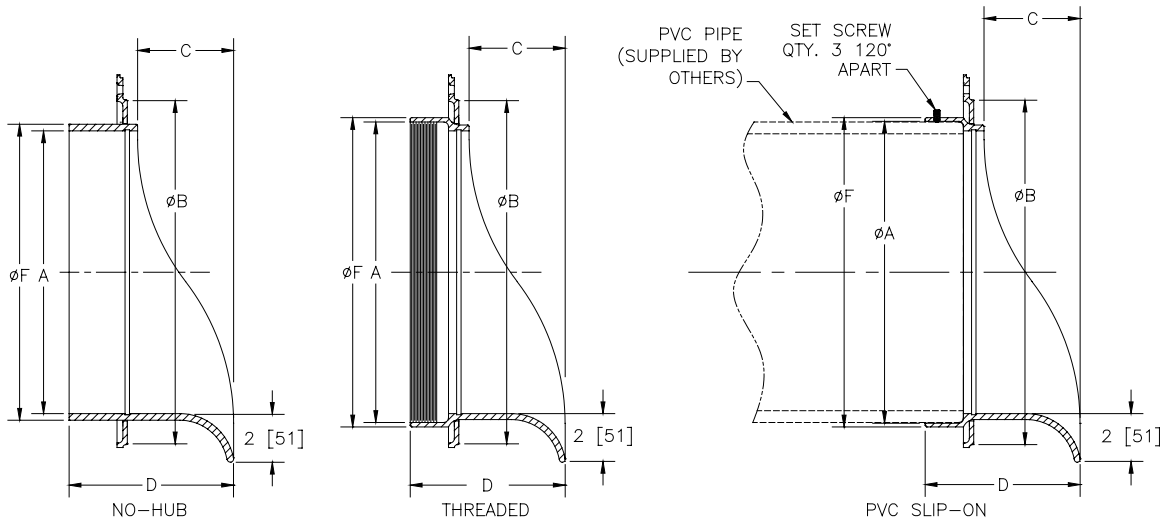


Design and Dimensional Data (inches and [ mm ]) are Subject to Manufacturing Tolerances and Change Without Notice



Dimension in Inches [mm]							Approx. Wt. Lbs. [kg]
A - Pipe Size	B	C	D		F		
			IP / PVC	NH	IP / PVC	NH	
2 [51]	4-1/2 [114]	2-5/8 [67]	4-1/2 [114]	4-1/2 [114]	2-13/16 [71]	2-3/8 [60]	5 [2]
3 [76]	5-1/2 [140]	2-5/8 [67]	4-1/2 [114]	4-1/2 [114]	3-15/16 [100]	3-3/8 [86]	6 [3]
4 [102]	6-5/8 [168]	2-43/64 [69]	4-1/2 [114]	4-1/2 [114]	4-15/16 [125]	4-3/8 [121]	7 [3]
5 [127]	7-5/8 [194]	3-1/16 [78]	4-59/64 [125]	5-15/32 [139]	6-1/16 [154]	5-5/16 [135]	12 [5]
6 [152]	8-5/8 [219]	3-3/32 [79]	4-59/64 [125]	5-15/32 [139]	7-1/8 [181]	6-5/16 [160]	13 [6]
8 [203]	10-5/8 [270]	2-31/32 [75]	4-59/64 [125]	5-25/32 [147]	9-1/8 [232]	8-3/8 [213]	14 [6]
10 [254]	12-5/8 [321]	3-1/2 [89]	5-53/64 [148]	6-5/16 [160]	11-5/32 [283]	10-9/16 [268]	15 [7]
12 [305]	14-5/8 [371]	4-5/64 [104]	6-13/32 [163]	6-57/64 [175]	13-5/32 [334]	12-1/2 [318]	18 [8]

### ENGINEERING SPECIFICATION: ZURN ZANB199

Downspout Nozzle, All nickel bronze body, optional threaded, PVC slip-on, or No-Hub inlet and decorative face of wall flange and outlet nozzle.

### OPTIONS (Check/specify appropriate options)

#### PIPE SIZE

2, 3, 4, 5, 6, 8, 10, 12 [51,76,102,127,152, 203, 254,305]  
 2, 3, 4, 5, 6, 8, 10, 12 [51,76,102,127,152, 203, 254,305]  
 2, 3, 4, 5, 6, 8, 10, 12 [51,76,102,127,152, 203, 254,305]

#### (Specify size/type) OUTLET

\_\_\_ IP Threaded  
 \_\_\_ NH No-Hub  
 \_\_\_ PVC PVC Connection

### PREFIXES

\_\_\_ ZANB All Nickel Bronze Body\*  
 \_\_\_ ZARB All Plain Bronze Body

### SUFFIXES

\_\_\_ -SS Removable Stainless Screen

\* Regularly furnished unless otherwise specified.

**⚠ WARNING:** Cancer and Reproductive Harm - [www.P65Warnings.ca.gov](http://www.P65Warnings.ca.gov)

**⚠ ADVERTENCIA:** Cáncer y daño reproductivo - [www.P65Warnings.ca.gov](http://www.P65Warnings.ca.gov)

**⚠ AVERTISSEMENT:** Cancer et effets néfastes sur la reproduction - [www.P65Warnings.ca.gov](http://www.P65Warnings.ca.gov)

Zurn Industries, LLC | Specification Drainage Operation  
 1801 Pittsburgh Avenue, Erie, PA USA 16502, Ph. 855.663.9876

In Canada | Zurn Industries Limited  
 7900 Goreway Drive, Unit 10, Brampton, Ontario L6T 5W6, Ph. 877.892.5216

[www.zurn.com](http://www.zurn.com)

Rev. L  
 Date: 04/13/23  
 C.N. No. 145251  
 Prod. | Dwg. No. Z199