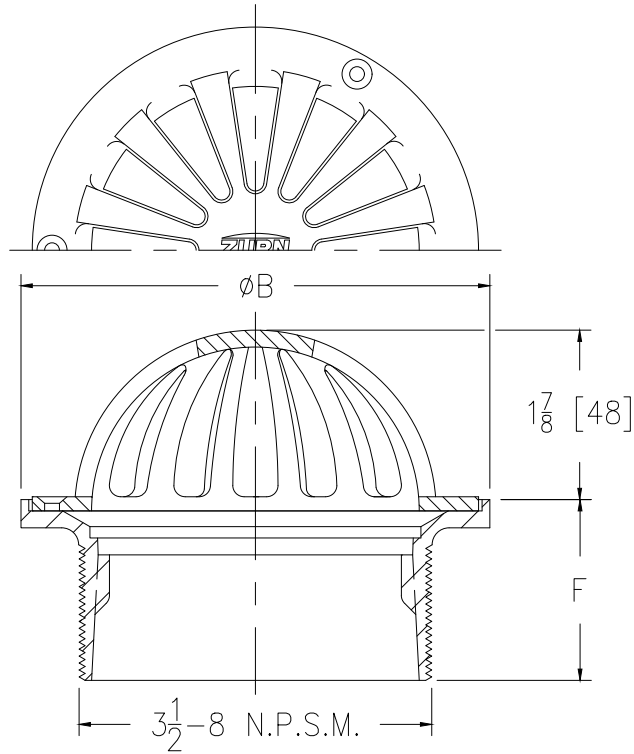


Design and Dimensional Data (inches and [ mm ]) are Subject to Manufacturing Tolerances and Change Without Notice



| Strainer Designation | Dimension in Inches[mm] |            | Approx. Wt. Lbs. [kg] | Open Area Sq. In. [cm <sup>2</sup> ] |
|----------------------|-------------------------|------------|-----------------------|--------------------------------------|
|                      | Size B                  | Height F   |                       |                                      |
| -5G                  | 5 [127]                 | 2 [51]     | 2 [1]                 | 15 [97]                              |
| -6G                  | 6 [152]                 | 2-1/4 [57] | 4 [2]                 |                                      |

**ENGINEERING SPECIFICATION:** ZURN Z( )400G "TYPE G" round adjustable strainer top with secured slotted dome strainer. (Specify ZB or ZN finish)

**OPTIONS** (Check/specify appropriate options)

**PREFIXES**

- \_\_\_ ZB Polished Bronze Top
- \_\_\_ ZN Polished Nickel Bronze Top\*

**SUFFIXES**

- \_\_\_ -SS Stainless Mesh Screen Over Dome
- \_\_\_ -V Backwater Valve
- \_\_\_ -VP Vandal-Proof Secured Top
- \_\_\_ -Y Sediment Bucket

\* Regularly furnished unless otherwise specified

- ⚠ **WARNING:** Cancer and Reproductive Harm - [www.P65Warnings.ca.gov](http://www.P65Warnings.ca.gov)
- ⚠ **ADVERTENCIA:** Cáncer y daño reproductivo - [www.P65Warnings.ca.gov](http://www.P65Warnings.ca.gov)
- ⚠ **AVERTISSEMENT:** Cancer et effets néfastes sur la reproduction - [www.P65Warnings.ca.gov](http://www.P65Warnings.ca.gov)

Zurn Industries, LLC | Specification Drainage Operation  
 1801 Pittsburgh Avenue, Erie, PA 16502, Ph. 855.663.9876

In Canada | Zurn Industries Limited  
 7900 Goreway Drive, Unit 10, Brampton, Ontario L6T 5W6, Ph. 877.892.5216

[www.zurn.com](http://www.zurn.com)

Rev. G  
 Date: 11/28/2022  
 C.N. No. 144898  
 Patent [zurn.com/patents](http://zurn.com/patents)  
 Prod. | Dwg. No. Z400G