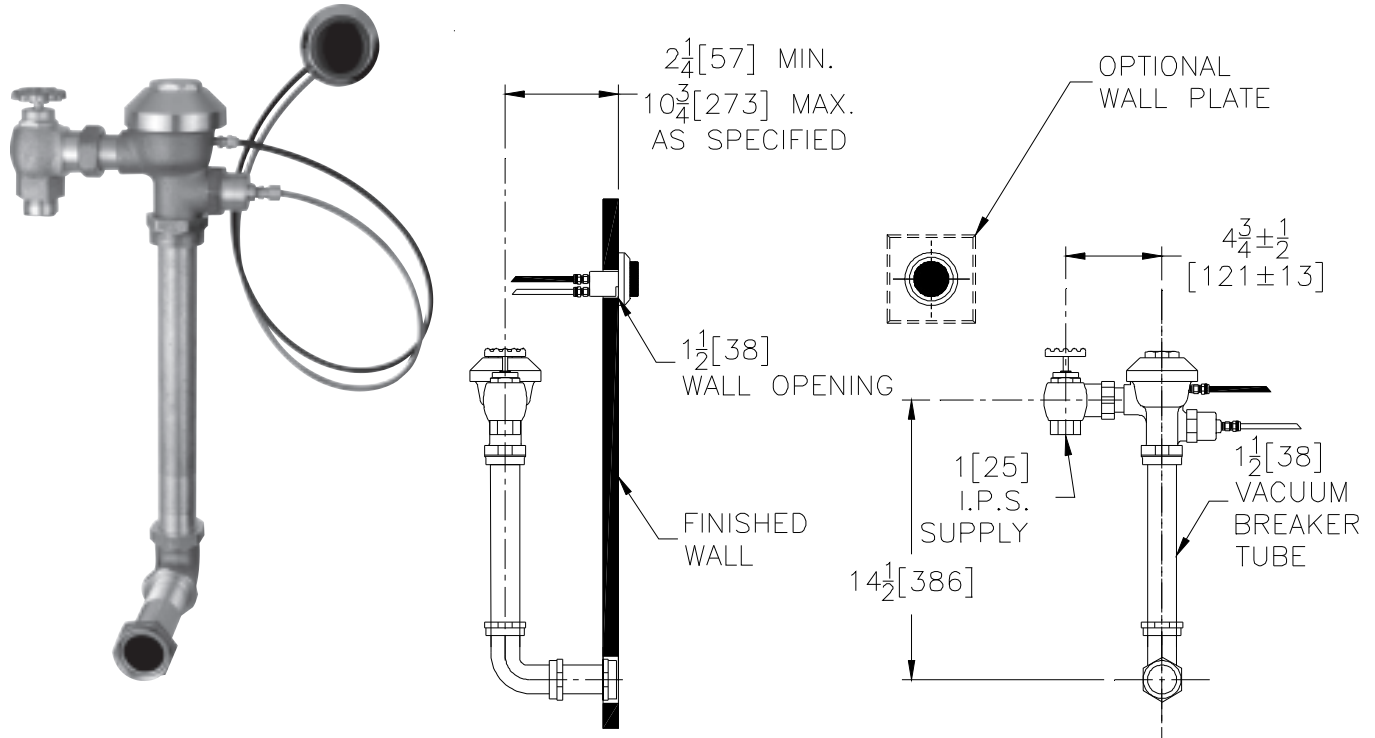




Concealed ZH6152AV Model With Hydraulic Actuator For Water Closets



Flow Options

- WS1 1.6 Gal. Low Consumption Flush
- FF 4.5 Gal. Full Flush
- WS 3.5 Gallons Per Flush

Suffix Options (Check/Specify Appropriate Options)

- FW Fixture Wall Mounted Hydraulic Actuator
- MB 1"[25] Metal push button Hydraulic Actuator
- MBP 1"[25] Metal push button for Penal Application
- SW Side Wall Mounted Hydraulic Actuator
- WP Wall Plate for Push Button (ZP-50)
- Other

ENGINEERING SPECIFICATION: ZURN ZH6152AV AquaVantage® 'AV' Concealed Closet Flush Valve with Hydraulic Actuation- Concealed, quiet diaphragm-type rough brass flushometer valve with Zurn's AquaVantage® TPE, chloramine resistant, dual seal diaphragm with a clog resistant, triple filtered by-pass. The valve is complete with a non-hold open type hydraulic push button actuator that may be located up to 36"[914] (7"[2133] with -SW option) from the valve, high back pressure vacuum breaker, one piece hex coupling nut, adjustable tailpiece, elbow flush connection, spud coupling and flange for back spud connection. Control stop has internal siphon-guard protection, and sweat solder kit. Internal seals are made of chloramine resistant materials.

This space is for Architectural/engineering Approval

ZURN INDUSTRIES, LLC. ♦ COMMERCIAL BRASS OPERATION ♦ 5900 ELWIN BUCHANAN DRIVE ♦ SANFORD NC 27330

Phone: 1-800-997-3876 ♦ Fax: 919-775-3541 ♦ World Wide Web: www.zurn.com

In Canada: ZURN INDUSTRIES LIMITED ♦ 3544 Nashua Drive ♦ Mississauga, Ontario L4V1L2 ♦ Phone: 905-405-8272 Fax: 905-405-1292