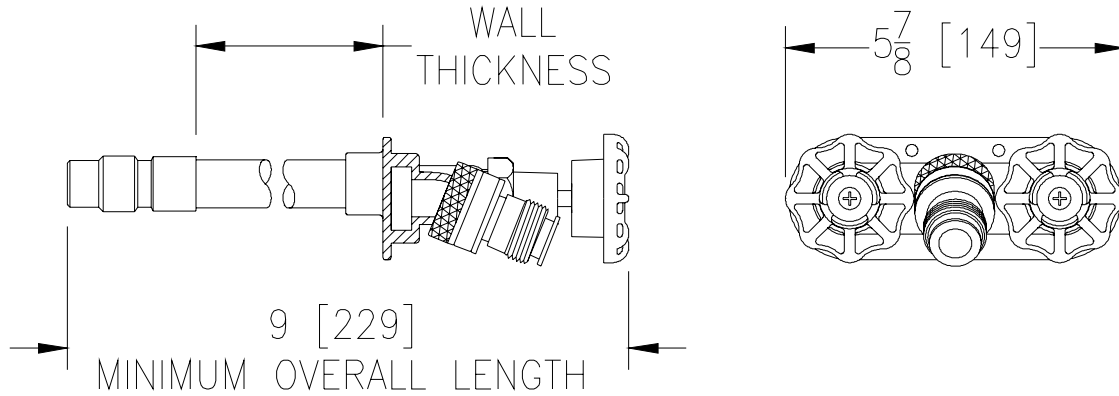


Dimensional Data (inches and [mm]) are Subject to Manufacturing Tolerances and Change Without Notice



Wall Thickness In Inches	Approx. Wt. Lbs. [kg]
4-6 [102-152]	4 [2]
8-10 [203-254]	5 [2]
12-14-16 [305-356-406]	6 [3]
18-20-22 [457-508-559]	8 [4]
24 [610]	10 [5]

ENGINEERING SPECIFICATION: Z1348-BFP

Exposed non-freeze anti-siphon dual hot/cold wall faucet complete with automatic draining hose connection backflow preventer, exterior chrome finish, brass casing, all bronze interior parts, operating rod with spring-loaded compression closure valve, replaceable seat washer, combination 1/2 [13] female solder inlet and 1/2 [13] male IP inlet connections standard, and 3/4 [19] male hose connection.

OPTIONS (Check/specify appropriate options)

SUFFIXES

- ____ -CP3 3/4 [19] Male Pipe Thread x 3/4 [19] Female Solder
- ____ -PX 1/2 [13] PEX Tube Fitting
- ____ -RK Hydrant Parts Repair Kit



(Hose Connection Backflow Preventer)