



# Z81104-XL

## 4" Centerset Faucet

TAG \_\_\_\_\_

### Architectural/Engineering Specification:

Polished chrome-plated cast brass faucet body with integral shanks, quarter turn ceramic disc cartridges and a 4" [102mm] long integral cast spout. Unit is furnished with a 2.2 GPM [8.3 L] pressure compensating aerator (complying with ANSI A112.18.1 Standard for flow), 4"[102mm] vandal-resistant color-coded metal wrist blade handles, mounting hardware and 1/2" NPSM coupling nuts for standard lavatory risers.

Zurn Lead Free products (-XL) is the line of durable, high quality brass faucets and fixtures that are designed and manufactured to comply with Section 1417 of the Safe Drinking Water Act (SDWA) which mandates the weighted average lead content of no more than 0.25% of the wetted surface.

### Product Features:

- Heavy-duty Quarter Turn Ceramic Disc Cartridge
- Chrome-plated Cast Brass Body With Integral Shank
- 4" Vandal-resistant Color-Coded Metal Handles

### Compliance and Certification:

- Faucet dimensions meet A112.18.1/CSA B125.1 requirements.
- Lead Free Compliant
- ADA Compliant



\*This device is WaterSense labeled when used with the appropriate flow rate and certified for residential and private restrooms.



### Aerator Options:

	Flow rate GPM [LpM]	Vandal Resistant	Pressure Compensation	Water Sense Labeled *	Outlet Type
<b>-2M</b>	2.2[8.3]	✓	✓		Aerator
<b>-3M</b>	0.5[1.9]	✓	✓		Spray
<b>-4M</b>	2.2[8.3]	✓	✓		Laminar
<b>-7M</b>	1.0[3.8]		✓	✓	Spray
<b>-16M</b>	1.0[3.8]	✓	✓		Spray
<b>-17M</b>	1.5[5.7]	✓	✓	✓	Aerator
<b>-18M</b>	1.5[5.7]	✓	✓	✓	Laminar
<b>-22M</b>	1.0[3.8]	✓			Laminar
<b>-25M</b>	0.35[1.3]	✓	✓		Spray

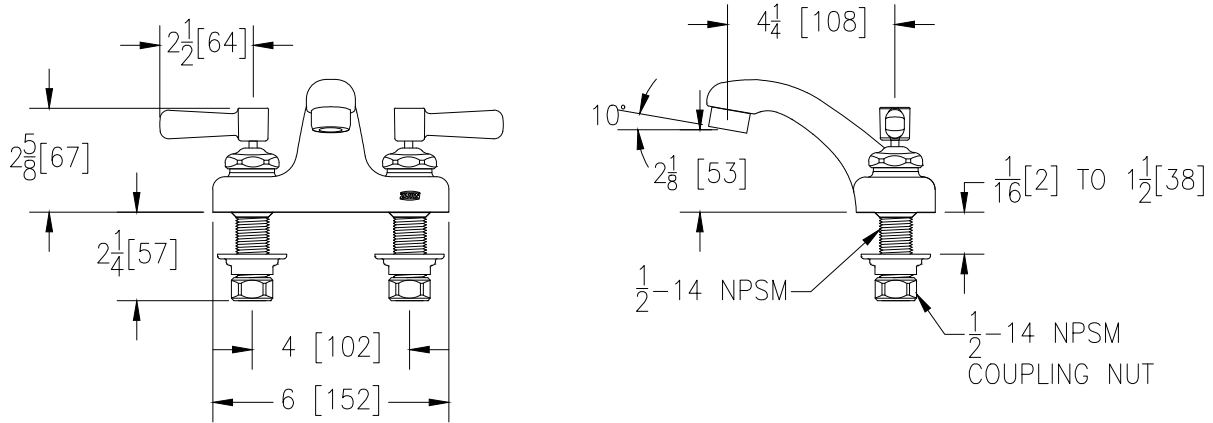
### Suffix Options:

- G 1-1/4" [32mm] Grid Strainer Drain
- P 1-1/4" [32mm] Pop-up Drain

**Architectural/Engineering Approval**

The information contained in this document is subject to change without notice. Please contact Zurn for most up to date information.

Rough-in dimensions/Overview dimensions



**NOTE: All dimensions are for reference only. Do not use for pre-plumbing**