



EZ1™ DRAINAGE SERIES

EZ1™ DECK PLATE FLOOR DRAIN/CLEANOUT INSTALLATION INSTRUCTIONS

Design and Dimensional Data (inches and [mm]) are Subject to Manufacturing Tolerances and Change Without Notice

⚠ Warning: Flying material can cause eye injury or blindness and sharp edges could cause cuts or lacerations. Wear safety glasses and gloves when installing or working on drain.

1. Cut or core a 6" hole in the floor. (I.E. Concrete Fig. 1A, wood floor Fig. 1B or corrugated steel deck Fig. 1C)

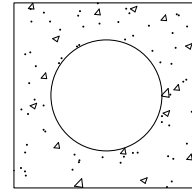


Fig. 1A

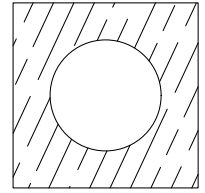


Fig. 1B

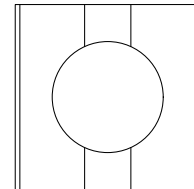


Fig. 1C

2. Place drain body with deck plate into cut hole.

Secure the deck plate to the floor with the appropriate fastener (supplied by others) for the installed floor (concrete shown as reference). See Fig. 2

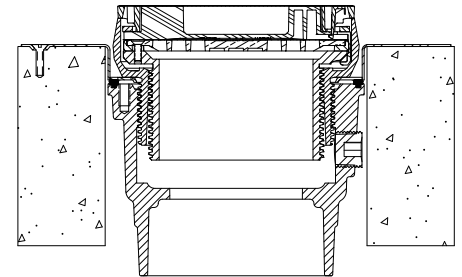


Fig. 2

3. Connect pipe to drain body and pressure test connection per local code requirements. See Fig. 3 (Neo-loc body shown for reference)

Note: All plastic bodies to be solvent welded to pipe.

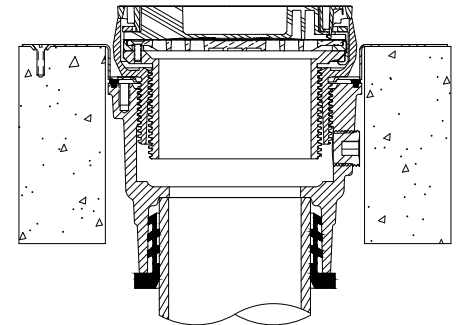


Fig. 3

- 3B. If installing a cleanout, ensure cleanout plug is installed in the cleanout body.

Ensure that the cleanout plug is installed using an approved thread sealant.

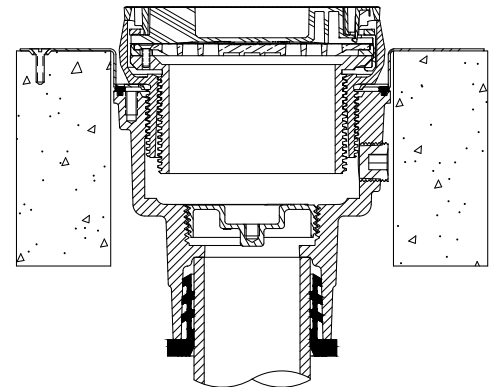


Fig. 3B

⚠ WARNING: Cancer and Reproductive Harm - www.P65Warnings.ca.gov

⚠ ADVERTENCIA: Cáncer y daño reproductivo - www.P65Warnings.ca.gov

⚠ AVERTISSEMENT: Cancer et effets néfastes sur la reproduction - www.P65Warnings.ca.gov

Zurn Industries, LLC | Specification Drainage Operation
1801 Pittsburgh Avenue, Erie, PA 16502, Ph. 855.663.9876

In Canada | Zurn Industries Limited
7900 Goreway Drive, Unit 10, Brampton, Ontario L6T 5W6, Ph. 877.892.5216

www.zurn.com

Rev.	D
Date:	12/30/22
C.N. No.	144898
Patent	zurn.com/patents
Dwg. No.	FD122



EZ1™ DRAINAGE SERIES

EZ1™ DECK PLATE FLOOR DRAIN/CLEANOUT INSTALLATION INSTRUCTIONS

Design and Dimensional Data (inches and [mm]) are Subject to Manufacturing Tolerances and Change Without Notice

If not installing a membrane skip to step 7

4. If installing a waterproof membrane, Remove Rough-In Cover assembly. See Fig. 4

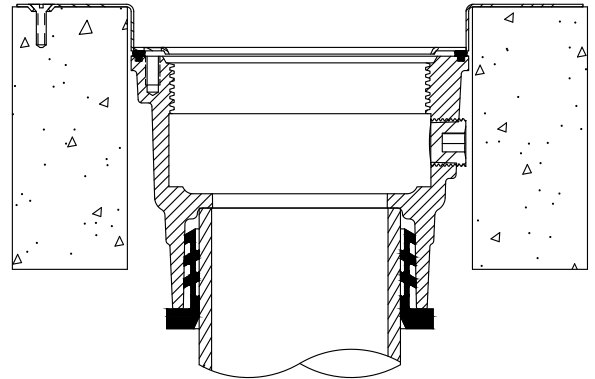


Fig. 4

5. Install the waterproofing membrane per manufacturers instructions. Cut and remove waterproofing membrane along inside circumference of the deck plate. See Fig. 5

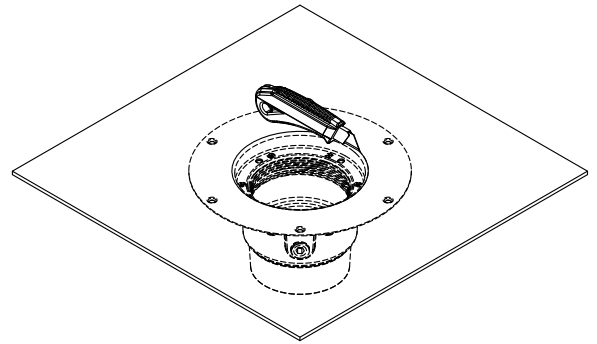


Fig. 5

6. Add a bead of silicone around inside edge on the bottom of clamping collar. Secure -CC (clamp collar) to the body with the supplied 1/4-20 x 1/2 hex washer head cap screw.

⚠ Do not overtighten, Max. torque 8 ft-lbs [11 Nm]

Note: Clamping collar is not standard, specify -CC option when ordering.

See Fig. 6

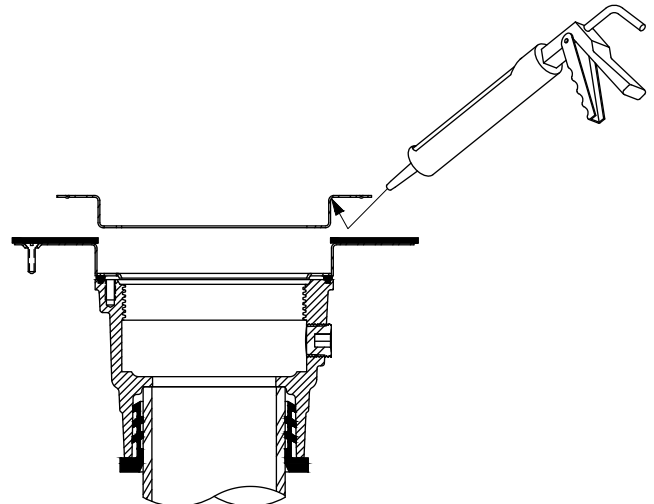


Fig. 6

⚠ **WARNING:** Cancer and Reproductive Harm - www.P65Warnings.ca.gov

⚠ **ADVERTENCIA:** Cáncer y daño reproductivo - www.P65Warnings.ca.gov

⚠ **AVERTISSEMENT:** Cancer et effets néfastes sur la reproduction - www.P65Warnings.ca.gov

Zurn Industries, LLC | Specification Drainage Operation
1801 Pittsburgh Avenue, Erie, PA 16502, Ph. 855.663.9876

In Canada | Zurn Industries Limited
7900 Goreway Drive, Unit 10, Brampton, Ontario L6T 5W6, Ph. 877.892.5216

www.zurn.com

Rev.	D
Date:	12/30/22
C.N. No.	144898
Patent	zurn.com/patents
Dwg. No.	FD122

Design and Dimensional Data (inches and [mm]) are Subject to Manufacturing Tolerances and Change Without Notice

7. Adjust Rough-In Cover assembly to the height of the finish floor. See Fig. 7

⚠ Note: Ensure rough-in cover is tight to the concrete shield so no concrete seeps into the assembly

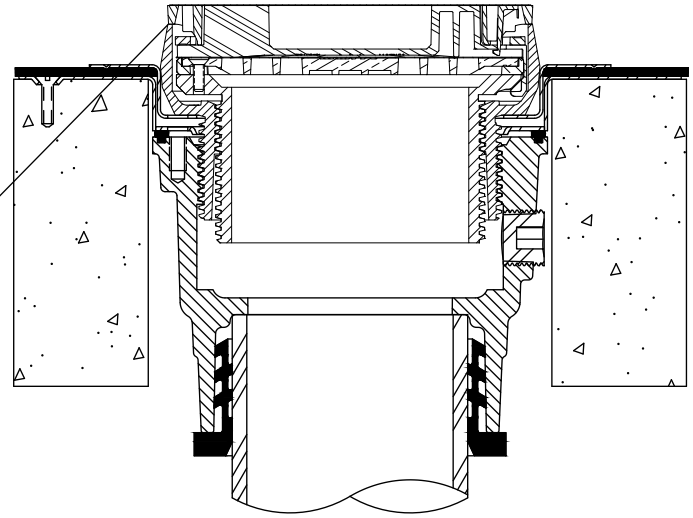
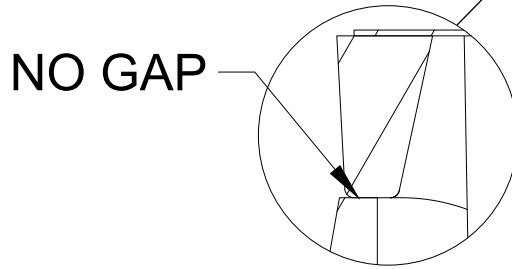


Fig. 7

8. Pour finish floor slab flush to the top of the rough-in cover. See Fig. 8

Note: If fixture is above surface, it is recommended to hand finish concrete around fixture to avoid damage.

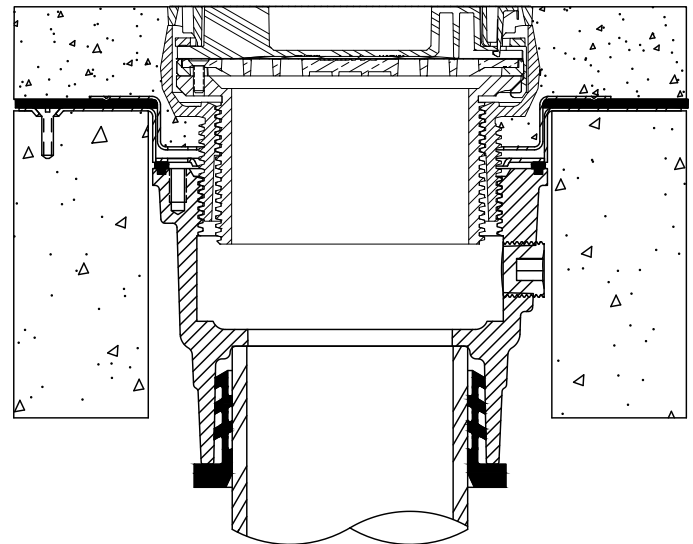


Fig. 8

⚠ WARNING: Cancer and Reproductive Harm - www.P65Warnings.ca.gov

⚠ ADVERTENCIA: Cáncer y daño reproductivo - www.P65Warnings.ca.gov

⚠ AVERTISSEMENT: Cancer et effets néfastes sur la reproduction - www.P65Warnings.ca.gov

Zurn Industries, LLC | Specification Drainage Operation
1801 Pittsburgh Avenue, Erie, PA 16502, Ph. 855.663.9876

In Canada | Zurn Industries Limited
7900 Goreway Drive, Unit 10, Brampton, Ontario L6T 5W6, Ph. 877.892.5216

www.zurn.com

Rev. D
Date: 12/30/22
C.N. No. 144898
Patent zurn.com/patents
Dwg. No. FD122

Design and Dimensional Data (inches and [mm]) are Subject to Manufacturing Tolerances and Change Without Notice

9. Hit the top of the rough-in cover with a pair of adjustable pliers to loosen bond with the concrete. Continue hitting the rough-in cover until a visible crack forms around the entire circumference of the rough-in cover. Rough-in cover should appear loose (separates up from concrete). See Fig.9

⚠ Note: Be careful to not hit the finished concrete floor as it will chip/damage the finish. Only hit the plastic rough-in cover. Do not use excessive force.

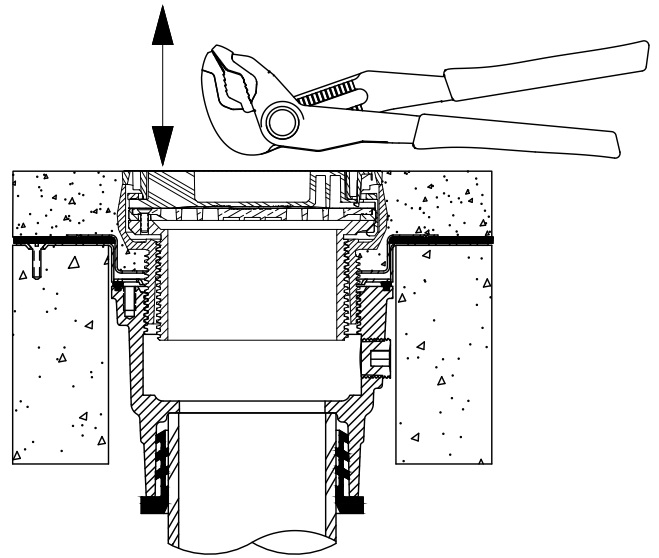


Fig. 9

10. Break the protective label in the center of the rough-in cover to expose a slot. See Fig. 10

⚠ Note: Do not remove entire label. Longer screws and adjustment shims are packaged under the label.

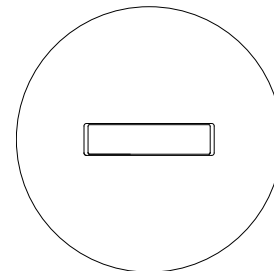
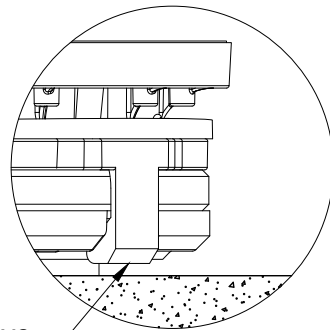


Fig. 10

11. Placing the back of the adjustable pliers head in the slot, unscrew the rough-in cover assembly counterclockwise until the tabs of the rough-in cover are above the concrete. See Fig. 11



Tab above
the concrete

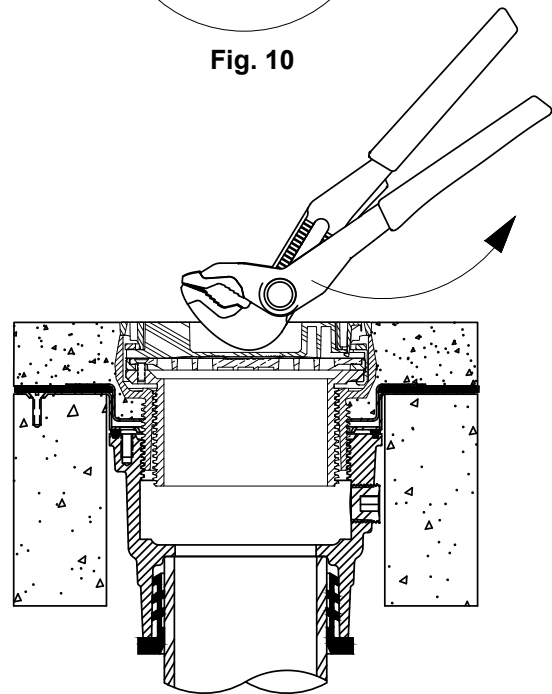


Fig. 11

⚠ WARNING: Cancer and Reproductive Harm - www.P65Warnings.ca.gov

⚠ ADVERTENCIA: Cáncer y daño reproductivo - www.P65Warnings.ca.gov

⚠ AVERTISSEMENT: Cancer et effets néfastes sur la reproduction - www.P65Warnings.ca.gov

Design and Dimensional Data (inches and [mm]) are Subject to Manufacturing Tolerances and Change Without Notice

12. Remove rough-in cover. See Fig. 12

Note: Do not discard the rough-in cover. Longer screws and adjustment shims are under the label and may be needed to adjust for a tilted drain.

For Existing Slab On Grade Installation with Secondary Pour (See Steps 13 and 14)

If finished fixture is tilted, see step 17.

Round

- 13a. Place a bead of silicone around the circumference of the last thread of the head assembly. See Fig. 13R
- 13b. Thread head assembly down until bottom of the frame is flush with the top of the concrete. See Fig. 13R
- 13b. Place a bead of silicone around the perimeter of the strainer frame. See Fig. 13R
- 14. Turn head assembly clockwise until top of strainer is flush with the finish floor. Wipe away excess silicone. Remove protective label once construction is complete. See Fig. 14S

Square

- 13. Turn head assembly clockwise until top of strainer is flush with the finish floor. See Fig. 13S
- 14. Fill in rough-in adapter with cement or grout. Ensure to completely fill in around entire head assembly flush with finished floor. Remove protective label once construction is complete. See Fig. 14S

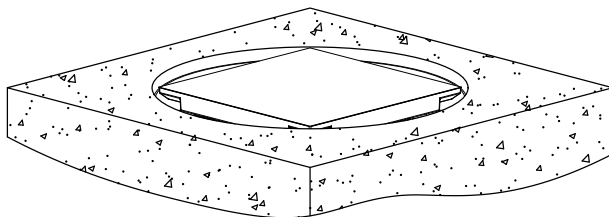


Fig. 13S

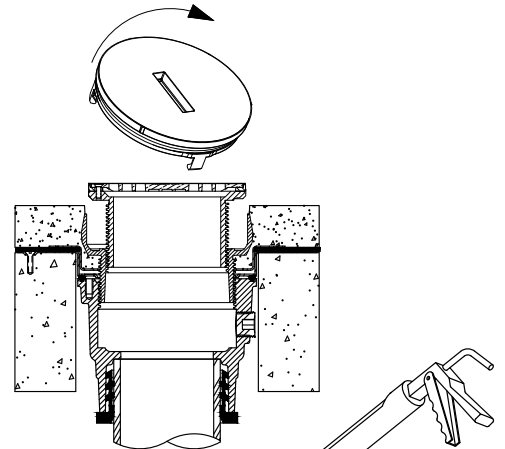


Fig. 12

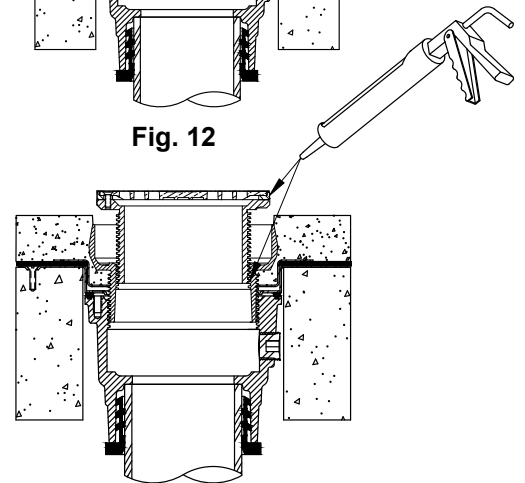


Fig. 13R

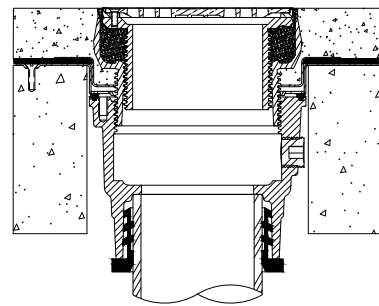


Fig. 14R

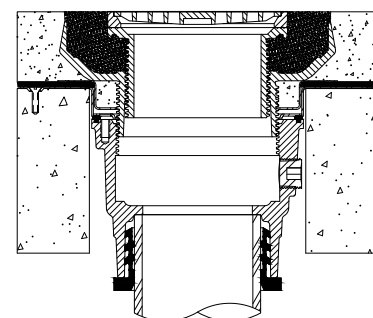


Fig. 14S

- ⚠ WARNING:** Cancer and Reproductive Harm - www.P65Warnings.ca.gov
- ⚠ ADVERTENCIA:** Cáncer y daño reproductivo - www.P65Warnings.ca.gov
- ⚠ AVERTISSEMENT:** Cancer et effets néfastes sur la reproduction - www.P65Warnings.ca.gov



EZ1™ DRAINAGE SERIES

EZ1™ DECK PLATE FLOOR DRAIN/CLEANOUT INSTALLATION INSTRUCTIONS

Design and Dimensional Data (inches and [mm]) are Subject to Manufacturing Tolerances and Change Without Notice

For Tile Installation (Steps 15 and 16)

If finished fixture is tilted, See Step 17

Round

15. Adjust head assembly to the height of the finished floor.

See Fig. 15R

16. Install finish flooring per manufacturers instructions.

Remove protective label from strainer once construction is complete.

See Fig. 16R

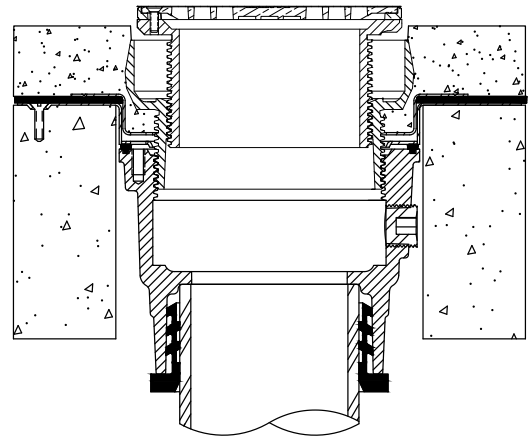


Fig. 15R

Square

15a. Adjust head assembly to the height of the finished floor.

See Fig. 15S

15b. Fill in rough-in adapter with cement or grout. Ensure to completely fill in around entire head assembly flush with finished concrete.

See Fig. 15S

16. Install finished flooring per manufacturers instructions.

Remove protective label from strainer once construction is complete.

See Fig. 16S

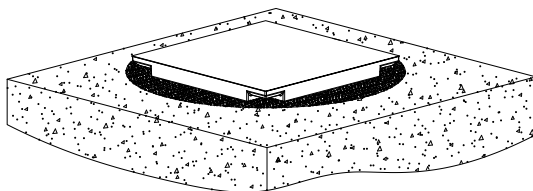


Fig. 15S

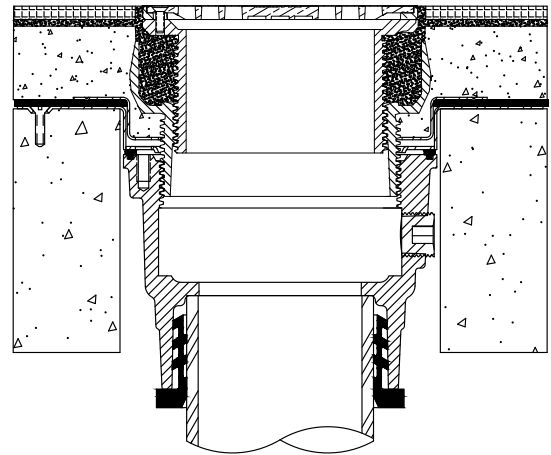


Fig. 16R

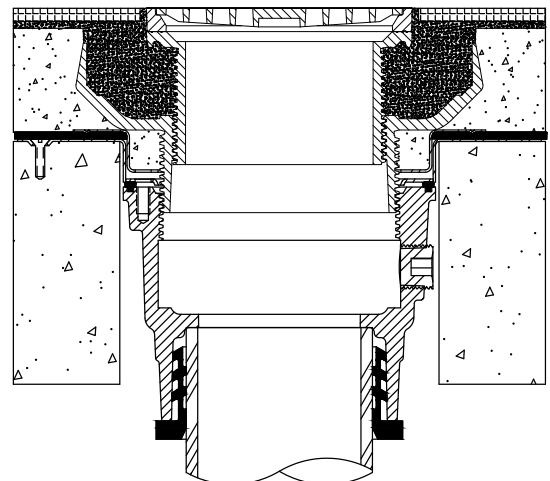


Fig. 16S

⚠ **WARNING:** Cancer and Reproductive Harm - www.P65Warnings.ca.gov

⚠ **ADVERTENCIA:** Cáncer y daño reproductivo - www.P65Warnings.ca.gov

⚠ **AVERTISSEMENT:** Cancer et effets néfastes sur la reproduction - www.P65Warnings.ca.gov

Zurn Industries, LLC | Specification Drainage Operation
1801 Pittsburgh Avenue, Erie, PA 16502, Ph. 855.663.9876

In Canada | Zurn Industries Limited
7900 Goreway Drive, Unit 10, Brampton, Ontario L6T 5W6, Ph. 877.892.5216

www.zurn.com

Rev. D
Date: 12/30/22
C.N. No. 144898
Patent zurn.com/patents
Dwg. No. FD122

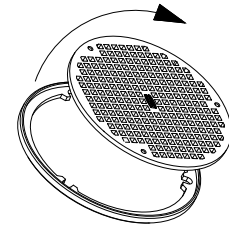
Page 6 of 7

Design and Dimensional Data (inches and [mm]) are Subject to Manufacturing Tolerances and Change Without Notice

For Correcting a Tilted Drain (Steps 17 - 19)

17. Remove strainer/cover and strainer/cover frame from installed head assembly. (Reuse screws as needed)

See Fig. 17



18. A shim set and longer screws are included under the label of the rough-in cover.

Install shims on shank and adjust/rotate shims as needed to bring strainer level with the finished floor. (Included shims can adjust for up to 1/4" [6 mm] of tilt.) See Fig. 18

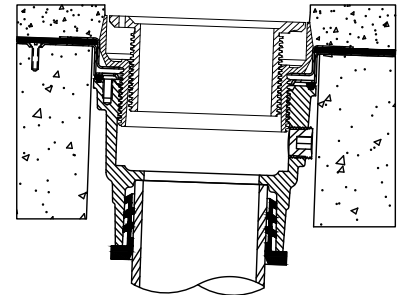


Fig. 17

19. Reinstall strainer/cover frame and strainer/cover. Use included longer screws as needed. Torque screws to 16-18 in-lbs [18.5-20.5 cm-kg]

Remove protective label from strainer once construction is complete. See Fig. 19a for Slab on Grade Installation and Fig. 19b for tile installation

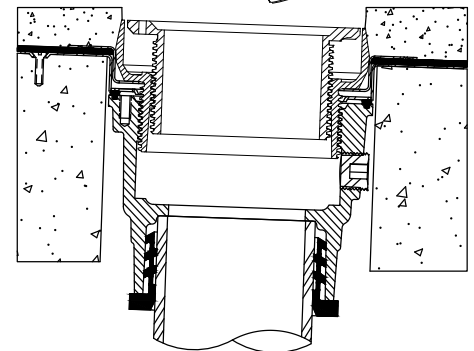
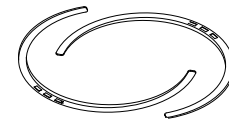


Fig. 18

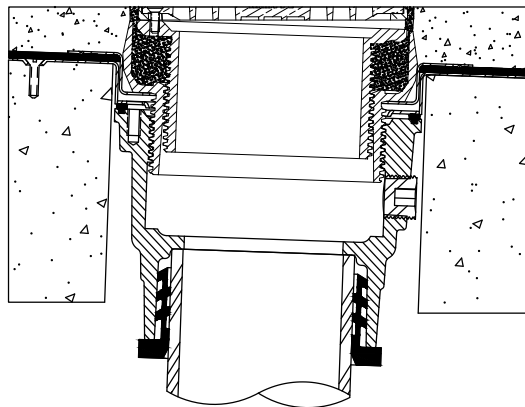


Fig. 19a

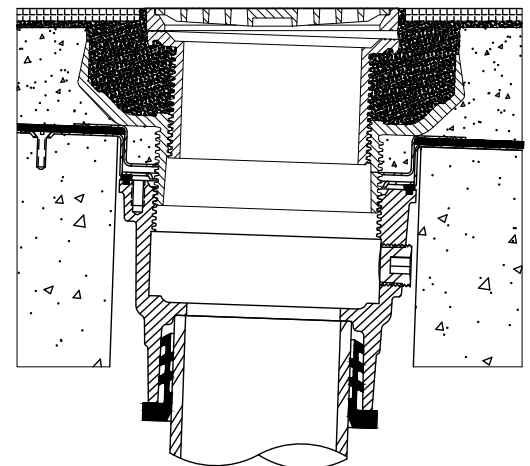


Fig. 19b

⚠ WARNING: Cancer and Reproductive Harm - www.P65Warnings.ca.gov

⚠ ADVERTENCIA: Cáncer y daño reproductivo - www.P65Warnings.ca.gov

⚠ AVERTISSEMENT: Cancer et effets néfastes sur la reproduction - www.P65Warnings.ca.gov