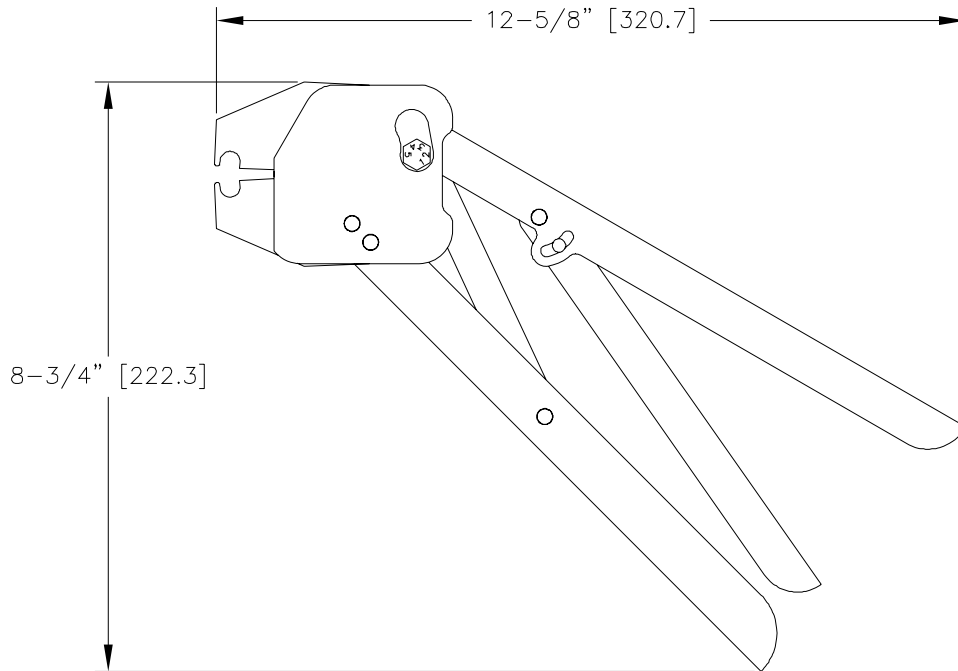




Medium QickClamp™ Crimp Ring Tool – QCRTQCM Specification Sheet

Tag _____

Dimensional Data: Inches and [mm] are subject to manufacturing tolerances and change without notice.



Engineering Specification: Zurn QickClamp™ Crimp Ring Tool. The QCRTQCM is a calibrated tool that applies the recommended force needed to make a leak-free crimp connection. The crimp tool is used with the QickClamp™ crimp rings, the Qick/Sert1® or QickSert CR™ fittings, and ZurnPEX® tubing to make a leak-free plumbing system.

Accessories

___ QCLP2X	3/8" QickClamp™ Crimp Ring
___ QCLP3X	1/2" QickClamp™ Crimp Ring
___ QCLP4X	3/4" QickClamp™ Crimp Ring
___ QCLP5X	1" QickClamp™ Crimp Ring

Rev. A	Date: 2/23/09	C.N. No. 99725
Dwg. No. 83878		Prod. No. QCRTQCM