



# Model 600XL3

## Water Pressure Reducing Valve with Integral Strainer

### Application

Zurn Wilkins model 600XL3 designed for installation on potable water lines to reduce high inlet pressure to a lower outlet pressure. The integral strainer makes this device ideal for residential and commercial water systems requiring frequent cleaning because of sediment and debris. The patented integral venturi enables best-in-class flow performance, making sizing easier and providing the user ideal water pressure at higher flow rates. The integral by-pass prevents buildup of excessive system pressure caused by thermal expansion. The balanced piston design enables the pressure reducing valve to react in a smooth and responsive manner to changes in system flow demand, while at the same time, providing protection from inlet pressure changes. A removable cartridge and cost-effective repair kits significantly reduce maintenance time and costs. The valve includes premium stainless steel internals as standard to provide enhanced corrosion resistance and lasting durability.

### Standards Compliance

- ASSE® Listed 1003
- cUPC® Listed
- CSA® Certified B356
- Meets the requirements of NSF/ANSI/CAN 61 & 372

### Materials

Main valve body	Low lead cast bronze ASTM B806
Bell housing	Low lead cast bronze ASTM B806
Fasteners	Stainless steel, 300 series
Stem	Stainless steel, 300 series
Plunger	Stainless steel, 300 series
Elastomers	Buna Nitrile (FDA approved) EPDM (FDA approved)
Springs	Stainless steel, 300 series
Cartridge	Noryl™

### Features

Sizes:	3/4", 1", 1 1/4", 1 1/2", 2"
Maximum working water pressure	400 psi
Maximum working water temperature	140° F
Reduced pressure range	15 psi to 75 psi
Factory preset	50 psi
Threaded connections (FNPT)	ANSI B1.20.1
Copper connections (Female)	ANSI B16.22

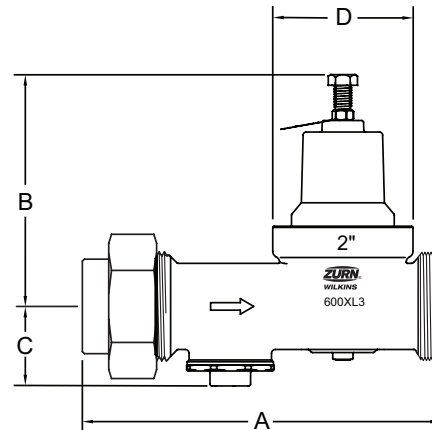


### Options (Suffixes can be combined)

- standard with single union FNPT inlet x FNPT outlet
- DU - double union FNPT x FNPT
- DUC - double union Copper Sweat x Sweat
- C - single union Copper Sweat x FNPT
- HR - high range, outlet adjust from 60 psi to 125 psi
- LU - less union
- G - with gauge
- 625XL3 - competitor replacement model

### Accessories

- Repair kits
- By-Pass Valve: (Fittings not included, to be plumbed in parallel). \*See Inst. on page 3  
1-600XL3DUBP & 1-600XL3DUHRBP



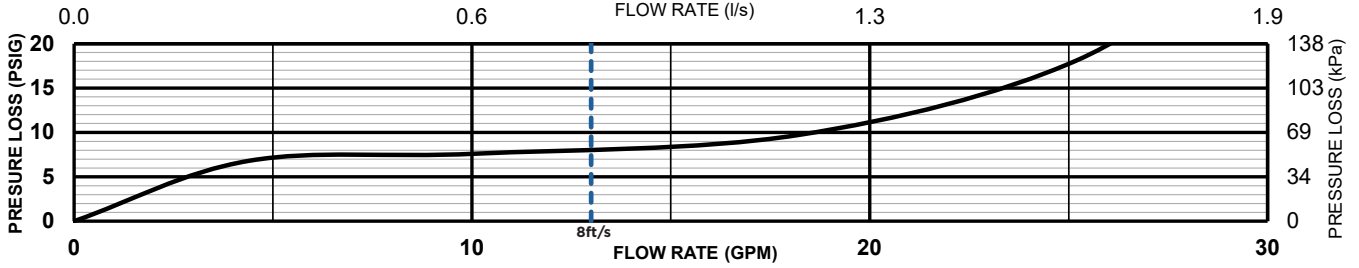
### Dimensions & Weights (do not include pkg.)

SIZE		CONNECTIONS	DIMENSIONS (approximate)								WEIGHT	
			A		B		C		D			
in.	mm		in.	mm	in.	mm	in.	mm	in.	mm	lbs.	kg.
3/4	20	SINGLE UNION	5 1/4	133	4 3/4	121	1 1/2	38	1 3/4	44	2.0	0.9
3/4	20	DOUBLE UNION	6	152	4 3/4	121	1 1/2	38	1 3/4	44	2.3	1.0
3/4	20	LESS UNION	4 7/8	124	4 3/4	121	1 1/2	38	1 3/4	44	1.7	0.8
1	25	SINGLE UNION	6 1/8	156	5 3/8	137	1 1/2	38	2 3/4	70	3.6	1.6
1	25	DOUBLE UNION	7	178	5 3/8	137	1 1/2	38	2 3/4	70	4.1	1.8
1 1/4	32	SINGLE UNION	7 1/4	184	6 7/16	164	2	51	2 3/4	70	4.9	2.2
1 1/4	32	DOUBLE UNION	8 3/8	213	6 7/16	164	2	51	2 3/4	70	5.6	2.6
1 1/2	40	SINGLE UNION	8 3/4	222	7 1/2	191	2 1/8	54	4 9/16	116	9.8	4.5
1 1/2	40	DOUBLE UNION	10	254	7 1/2	191	2 1/8	54	4 9/16	116	10.9	5.0
2	50	SINGLE UNION	10 1/4	260	7 1/2	191	2 1/2	64	4 9/16	116	12.2	5.5
2	50	DOUBLE UNION	11 1/2	292	7 1/2	191	2 1/2	64	4 9/16	116	13.7	6.2

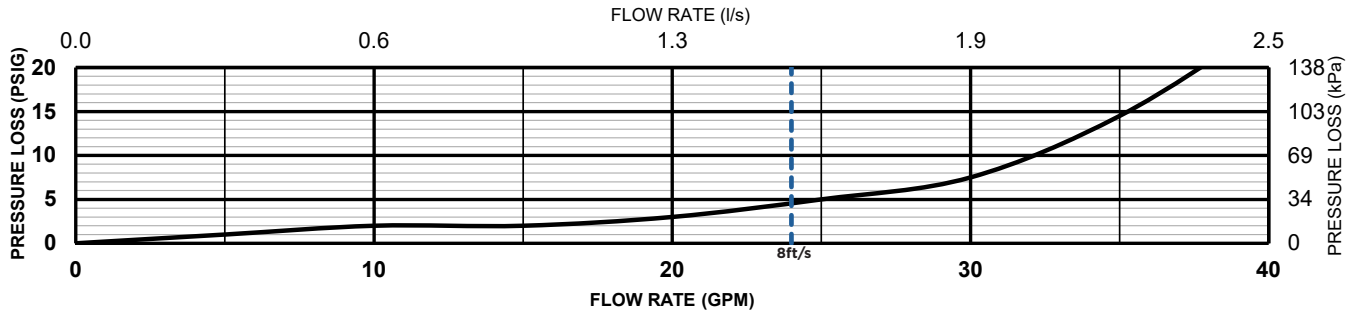
**Flow Characteristics**

Flow curves are based on a 50 psi pressure reduction. Pressure loss will be less with higher pressure reduction.

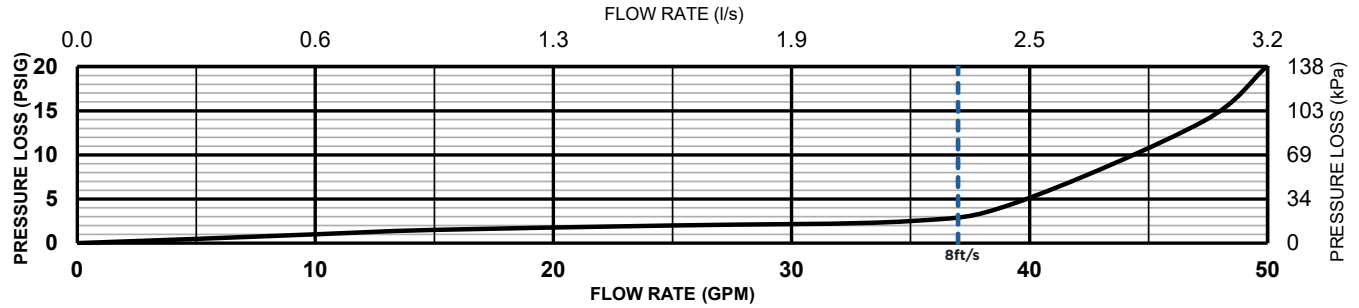
**3/4" MODEL 600XL3 (STANDARD AND METRIC)**



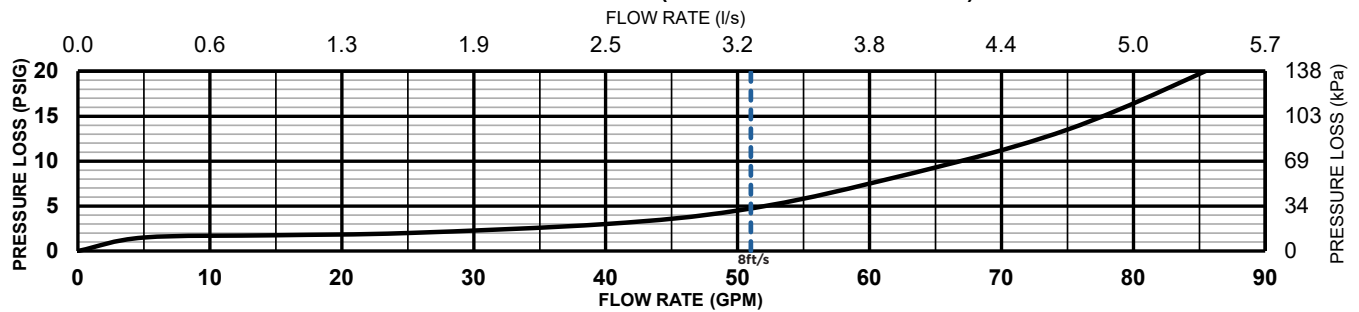
**1" MODEL 600XL3 (STANDARD AND METRIC)**



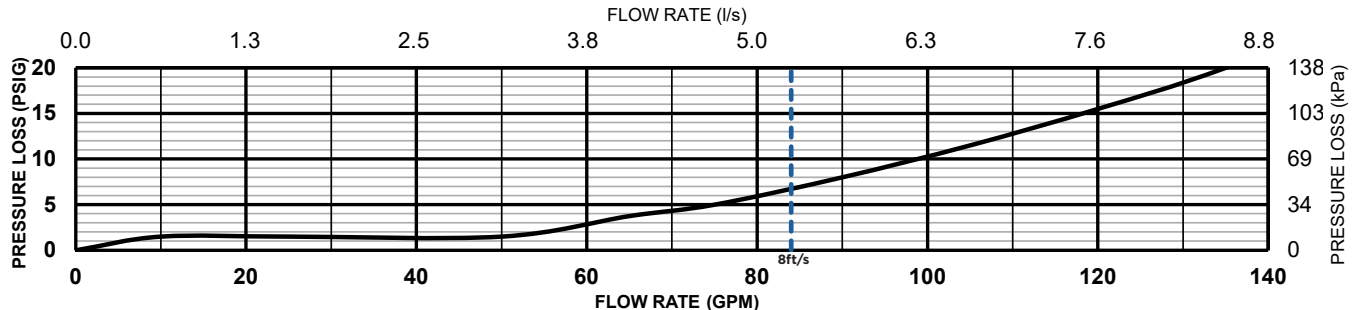
**1-1/4" MODEL 600XL3 (STANDARD AND METRIC)**



**1-1/2" MODEL 600XL3 (STANDARD AND METRIC)**



**2" MODEL 600XL3 (STANDARD AND METRIC)**

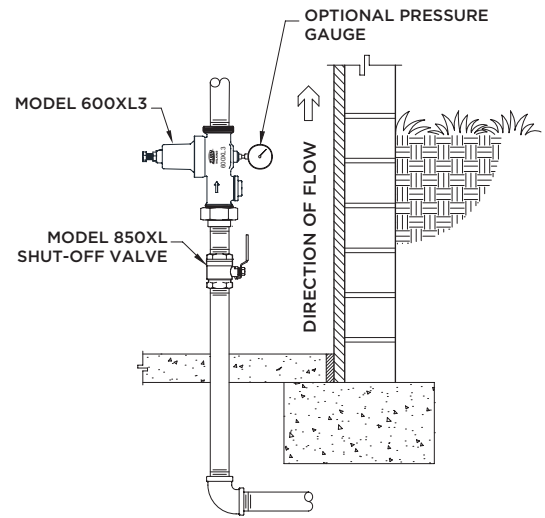
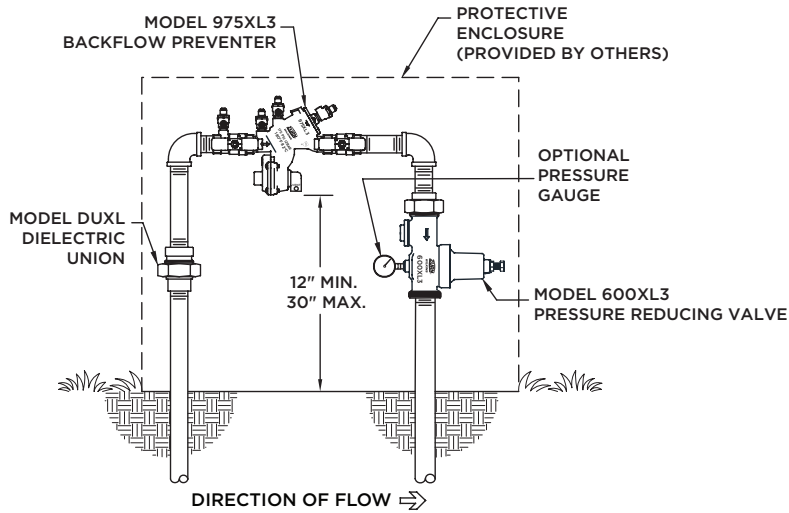


## Typical Installation

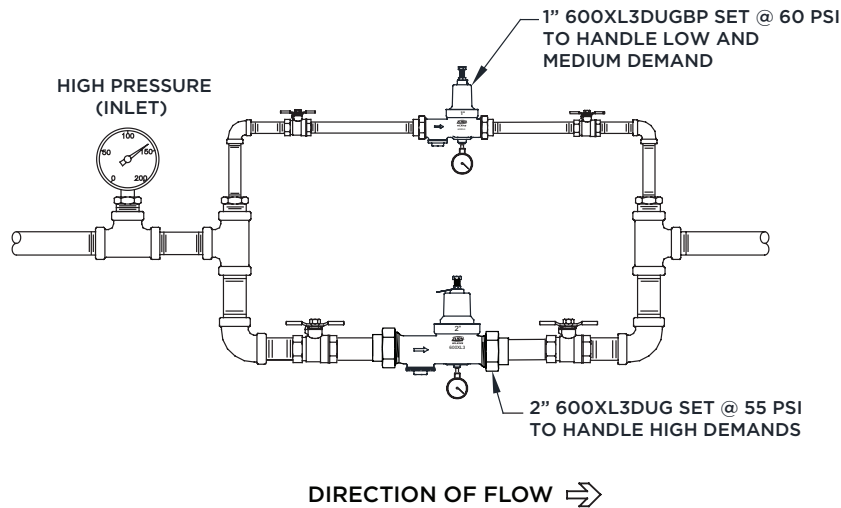
Local codes shall govern installation requirements. Unless otherwise specified, the assembly shall be mounted in accordance with the manufacturer's instructions and the latest edition of the Uniform Plumbing Code. The assembly shall be installed with sufficient side clearance for testing and maintenance. The Model 600XL3 may be installed in any position. Multiple installations in series are required when the desired pressure reduction is more than 3 to 1 (i.e. 150 psi inlet reduced to 50 psi outlet). Due to highly efficient flow performance, only use the 600XL3DUBP as low flow bypass valve options. Typical 600XL3 installations do not require a bypass valve for effective low flow capability.

**Caution:** Anytime a pressure reducing valve is adjusted, a pressure gauge must be used downstream to verify correct pressure setting. Do not bottom-out adjustment bolt on bell housing.

## TYPICAL INSTALLATION



**VERTICAL INSTALLATION**



**PARALLEL INSTALLATION**

## Specifications

The Pressure Reducing Valve shall be certified to NSF/ANSI/CAN 61 & 372, consisting of a low lead cast bronze body, bronze bell housing, and a bolt to adjust the downstream pressure. The bronze bell housing shall be threaded to the body. The assembly shall be a balanced piston design and shall reduce pressure in both flow and no-flow conditions and maintain less than 10 psi drop from set pressure up to a flow rate of 8 ft/s. The assembly shall be accessible for maintenance without having to remove the body from the line. The assembly shall include a removable cartridge and stainless steel corrosion resistant hardware and stem. The Pressure Reducing Valve shall be a ZURN WILKINS Model 600XL3.