



ARCHITECTURAL/ENGINEERING SPECIFICATION

Zurn Hydro•X® Power series of sensor flush valves for water closets are designed for reliable, hands-free operation that lasts the life expectancy of a commercial restroom. This hydropowered sensor flush valve for water closets requires no hard wiring or battery replacement, which means lower installation and maintenance costs. The gear-operated flush valve features a clog-resistant, triple filtered diaphragm. It is sensor activated to support a more hygienic environment by eliminating touch points. Pair with Hydro•X® Power faucets to maximize sustainable restroom goals.

PRODUCT FEATURES

- Hydro•X® Power technology delivers sustainable performance by providing renewable, uninterrupted hydropower designed to last the life expectancy of a commercial restroom
- Uses EZ Gear technology, a gear-driven ceramic cartridge that is less susceptible to debris and buildup for easy maintenance; outlasts and outperforms solenoids
- Industry-leading, triple filtered AquaVantage diaphragm, gaskets and seals are made of chemical-resistant thermoplastic elastomer, which lasts 8-10 times longer than traditional rubber, reducing maintenance costs
- Automatic touchless sensor activation reduces guest visits without a flush and can help reduce germ transmission
- True mechanical override button delivers on-demand manual flushing
- Heavy-duty construction with a highly polished chrome-plated finish provides long-term durability and vandal resistance in a contemporary design
- Standard 24-hour line flushing to help minimize stagnation and maintain fixture trap seals to protect against sewer gases during periods of inactivity
- User-in-view LED indicator light
- Exposed flush valve is also furnished with 1" control stop with internal siphon-guard protection, vandal-resistant stop cap, sweat solder kit, cast wall flange with set screw, and high-pressure vacuum breaker assembly for 1-1/2" top spout inlet.
- Operating Pressure
25 psi (running) - 80 psi (static)
Higher running pressure may be required for some fixtures. Consult fixture manufacturer for details.

COMPLIANCE AND CERTIFICATION

- Complies with ASSE 1037/ASME A112.1037/CSA B125.37
- ADA Compliant



*This product should be used with a WaterSense labeled counterpart with a compatible flow volume to ensure that the entire system meets the requirements for water efficiency and performance.

WHEN INSTALLING IN A HANDICAP STALL:

Per the ADA Guidelines (section 604.9.4) it is recommended that the grab bars be split or shifted to the wide side of the stall. If grab bars must be present over the valve, use the alternate ADA installation as shown.

SUFFIX OPTIONS

- YJ Split Ring Pipe Support
- YK Solid Ring Pipe Support

ALTERNATIVE FINISHES

- BN Brushed Nickel
- MB Matte Black



FLOW OPTIONS

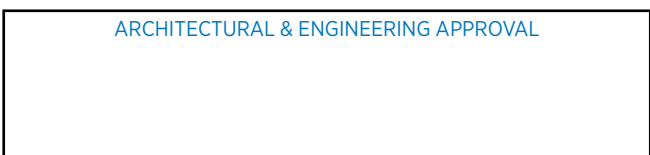
	FLUSH VOLUME GPF	WATERSENSE* CEC & CALGREEN COMPLIANT
-ONE	1.1	☑
-HET	1.28	☑
-WS1	1.6	
-HET-DF	1.28/1.1	☑
-WS1-DF	1.6/1.1	

VALVE HEIGHT OPTIONS

	DIMENSION A INCH [MM]
-STANDARD	11 1/2" [292]
-1	16" [406]
-2	24" [610]
-3	27" [686]

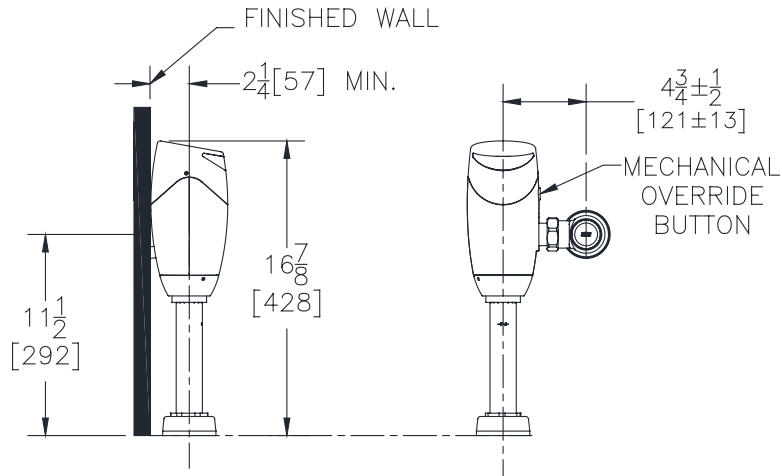
HEIGHT ACCESSORY (SOLD SEPERATLY)

P6000-YB-OSK Offset Supply Kit



The information contained in this document is subject to change without notice. Please contact Zurn for most up to date information.

Rough-in dimensions/Overview dimensions



ALTERNATE ADA INSTALLATION

Lower water supply rough-in to 10" and mount grab bar at the 36" maximum allowed height.

*** For Retrofit Installation with P6000-YB-OSK**

Zurn Offset Supply Kit can be used to lower valve height by 11/2" for ADA grab bar clearance.

