



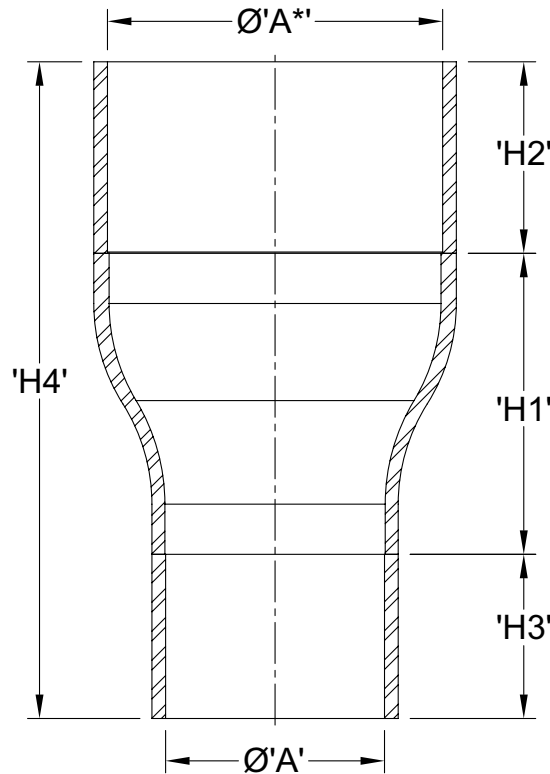
Z1870

HUB DRAIN

SPECIFICATION SHEET

TAG _____

Design and Dimensional Data (inches and [mm]) are Subject to Manufacturing Tolerances and Change Without Notice



Approx. Wt. Lbs. [kg]
15 [7]

Dimensions in Inches [mm]				
Nominal Pipe 'A*' - Inlet/ 'A' - Outlet	'H1'	'H2'	'H3'	'H4'
3/2 [38]	3-1/2 [89]	2-1/2 [64]	3 [76]	9 [229]
4/2 [51]	4 [102]	3 [76]	3 [76]	10 [254]
6/2 [76]	5-1/2 [140]	3-1/2 [89]	4 [102]	13 [330]
4/3 [34]	4 [102]	3 [76]	3 [76]	10 [254]
6/3 [51]	5-1/2 [140]	3-1/2 [89]	3 [76]	12 [305]
6/4 [38]	5-1/2 [140]	3 [76]	3-1/2 [89]	12 [305]
8/4 [51]	5-1/2 [140]	3 [76]	3-1/2 [89]	12 [305]
8/6 [34]	6 [152]	4 [102]	4 [102]	14 [356]

ENGINEERING SPECIFICATION: ZURN Z1870
Type 304 stainless steel, hub drain. Drain meets U.S. FDA standards for corrosion resistance.

OPTIONS (Check/specify appropriate options)

PIPE SIZE (ØA)

2, 3, 4, 6 [51, 76, 102, 152]
2, 3, 4, 6 [51, 76, 102, 152]

(Specify size/type) **OUTLET**

___ BW Butt-Weld
___ NH No-Hub

PREFIXES

___ Z Type 304 (CF8) Stainless Steel*
___ ZM Type 316 (CF8M) Stainless Steel

* Regularly furnished unless otherwise specified

⚠ WARNING: Cancer and Reproductive Harm - www.P65Warnings.ca.gov

⚠ ADVERTENCIA: Cáncer y daño reproductivo - www.P65Warnings.ca.gov

⚠ AVERTISSEMENT: Cancer et effets néfastes sur la reproduction - www.P65Warnings.ca.gov

Zurn Industries, LLC | Specification Drainage Operation
1801 Pittsburgh Avenue, Erie, PA 16502, Ph. 855.663.9876

In Canada | Zurn Industries Limited
7900 Goreway Drive, Unit 10, Brampton, Ontario L6T 5W6, Ph. 877.892.5216

www.zurn.com

Rev. C
Date: 03/07/2022
C.N. No. 144349
Prod. | Dwg. No. Z1870