



Z1900-RL

12 x 12 x 6 [305 x 305 x 152] REPLACEMENT FLOOR SINK LINER

SPECIFICATION SHEET

TAG _____

Dimensional Data (inches and [mm]) are Subject to Manufacturing Tolerances and Change Without Notice

Engineering Specification: ZURN Z1900-RL
12 x 12 x 6 [305 x 305 x 152] deep, 18 gage, all type 304 (CF8) fabricated stainless steel replacement floor sink liner, with internal pipe gasket seal, light-duty slotted, loose set grate and perforated removable dome strainer.

Approx. Wt. Lbs. [kg]	Grate Open Area Sq. In. [cm ²]
6 [3]	21.1 [136]

Options (Check/specify appropriate options)

Pipe Size (ØA)

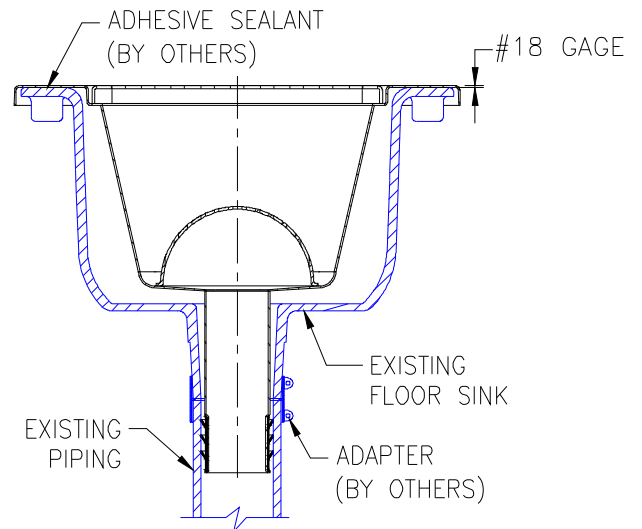
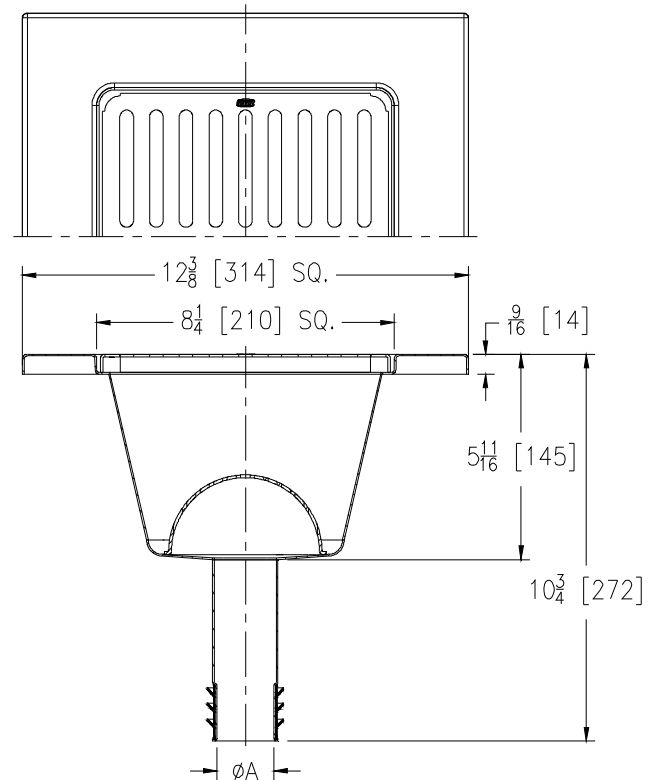
2-3-4[51-76-102]

Prefixes

___ Z All Type 304 (CF8) Fabricated Stainless Steel*

Suffixes

- ___ -1 Less Grate
- ___ -2 1/2 Grate
- ___ -3 3/4 Grate
- ___ -Y Sediment Bucket



* Regularly furnished unless otherwise specified.

Zurn Industries, LLC | Specification Drainage Operation
1801 Pittsburgh Avenue, Erie, PA U.S.A. 16502 · Ph. 855-663-9876, Fax 814-454-7929
In Canada | Zurn Industries Limited
3544 Nashua Drive, Mississauga, Ontario L4V 1L2 · Ph. 905-405-8272, Fax 905-405-1292
www.zurn.com

Rev. C
Date: 10/23/13
C.N. No. 130160
Prod. | Dwg. No. Z1900-RL