



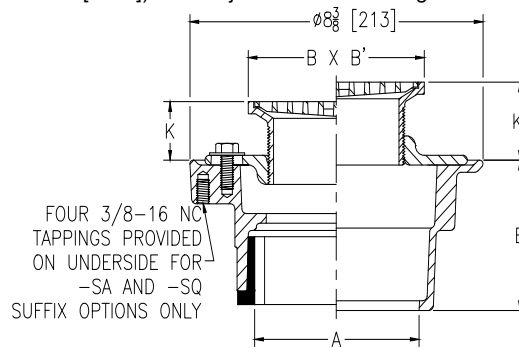
Z415S

BODY ASSEMBLY W/ "TYPE S" STRAINER

SPECIFICATION SHEET

TAG _____

Dimensional Data (inches and [mm]) are Subject to Manufacturing Tolerances and Change Without Notice



Dimensions in Inches [mm]						Approx. Wt. Lbs. [kg]	Strainer Open Area Sq. In. [cm ²]
A - Pipe Size	B x B' Strainer Top Size	K		K'			
		Min.	Max.	Min.	Max.		
2,3 [51,76]	5 x 5 [127 x 127]	1 [25]	1-19/32 [40]	1-1/4 [32]	2-3/8 [60]	12 [5]	9 [58]
2,3,4 [51,76,102]	6 x 6 [152 x 152]	1 [25]	1-27/32 [47]	1-13/32 [36]	2-19/32 [66]	13 [6]	13 [84]
2,3,4 [51,76,102]	7 x 7 [178 x 178]	1 [25]	1-7/8 [48]	1-3/8 [35]	2-5/8 [67]	14 [6]	21 [135]
3,4 [76,102]	8 x 8 [203 x 203]	1-3/32 [28]	1-7/8 [48]	1-3/4 [44]	2-5/8 [67]	15 [7]	28 [181]
6 [152]	10 x 10 [254 x 254]	1-3/32 [28]	1-7/8 [48]	1-3/4 [44]	2-5/8 [67]	21 [10]	28 [181]

ENGINEERING SPECIFICATION: ZURN ZN415S

Floor and shower drain, Dura-Coated cast iron body with bottom outlet, combination invertible membrane clamp and adjustable collar with seepage slots and "TYPE S" polished nickel bronze, square heel-proof, light-duty strainer.

OPTIONS (Check/specify appropriate options)

PIPE SIZE	(Specify size/type)	OUTLET	'E' BODY HT. DIM.
2,3,4 [51,76,102]	___ IC	Inside Caulk	4-3/16 [106]
2,3,4 [51,76,102]	___ IG	Inside Gasket	4-3/16 [106]
2 [51]	___ IP	Threaded	2-7/16 [62]
3 [76]	___ IP	Threaded	2-3/4 [70]
4 [102]	___ IP	Threaded	2-13/16 [71]
6 [152]	___ IP	Threaded	2-7/8 [73]
2,3,4 [51,76,102]	___ NH	No-Hub	3-13/16 [97]
2,3,4 [51,76,102]	___ NL	Neo-Loc	3-7/8 [98]

PREFIXES

- ___ ZB D.C.C.I. Body Assembly w/ Polished Bronze Top
- ___ ZN D.C.C.I. Body Assembly w/ Polished Nickel Bronze Top*

SUFFIXES

___ -AR	Acid Resisting Epoxy Coated Cast Iron	___ -SQ	Stabilizer Q-Deck (See Z1035-Q)
___ -CP	Chrome-Plated Top	___ -TC	Neo-loc Test Cap Gasket (2,3,4 [51,76,102] NL Outlet Only)
___ -G	Galvanized Cast Iron	___ -U	1-3 [25-76] High Extension Adapter
___ -HD	Heavy-Duty Grate (ZN 6x6[152x152]Only)	___ -V	Backwater Valve
___ -OF	Oval Funnel (See Z329-7) (6,7,8,10[152,178,203,254] Strainers only)	___ -VP	Vandal-Proof Secured Top
___ -P	Trap Primer Connection (Specify 1/2 [13] or 3/4 [19])	___ -Y	Sediment Bucket
___ -PC	Protective Cover	___ -4	4[102] Diameter Funnel (Z328)
___ -SA	Stabilizer Assembly (See Z1035)	___ -90	90° Threaded Side Outlet Body Assembly (2,3 [51,76] Only)

* Regularly furnished unless otherwise specified.

⚠ WARNING: Cancer and Reproductive Harm - www.P65Warnings.ca.gov

⚠ ADVERTENCIA: Cáncer y daño reproductivo - www.P65Warnings.ca.gov

⚠ AVERTISSEMENT: Cancer et effets néfastes sur la reproduction - www.P65Warnings.ca.gov

Zurn Industries, LLC | Specification Drainage Operation
1801 Pittsburgh Avenue, Erie, PA USA 16502, Ph. 855.663.9876

In Canada | Zurn Industries Limited
7900 Goreway Drive, Unit 10, Brampton, Ontario L6T 5W6, Ph. 877.892.5216

www.zurn.com

Rev. U
Date: 01/03/23
C.N. No. 144898
Patent zurn.com/patents
Prod. | Dwg. No. Z415S