

Z885 Applications

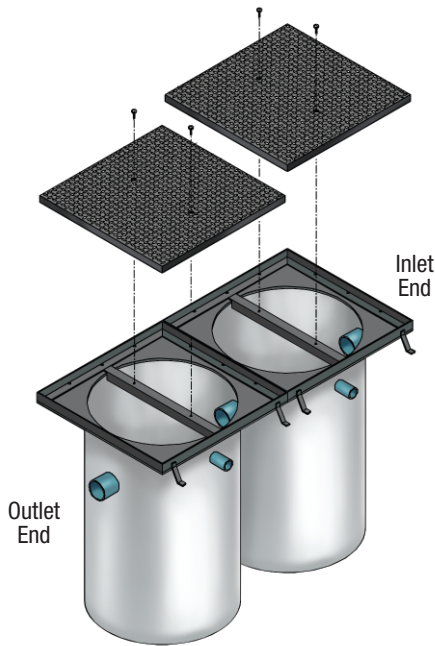
Industrial Parks

Kitchens

Chemical Plants

Food Processing

Installation Specification



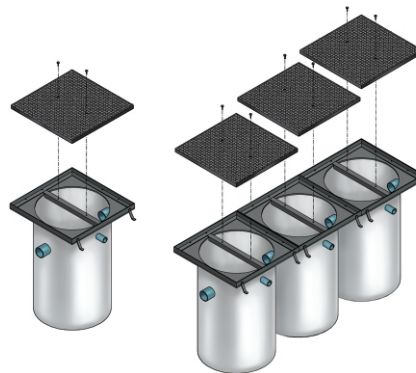
Double basins are standard for Z885.

Features and Benefits

- Smooth Polyethylene Interior – 0% Water Absorption
- Standard Steel Angle Frame with Anchor Studs
- Polyethylene Tanks – Lightweight, Strong, Corrosion-Resistant
- Medium-Duty Tread Plate Cover with Stainless Steel Lockdown Hardware
- Contact Factory For Custom Sizes

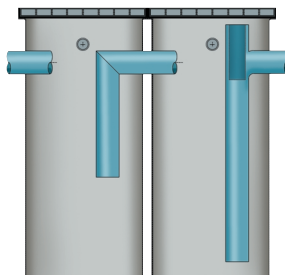
Z885 Dimensional Data

Capacity Gallons	Top Dimension		Height		Approx. Wt.	
	Inches	mm	Inches	mm	Lbs.	Kg
140	70-1/2 x 35-1/4	1791 x 895	30	762	328	149
200	70-1/2 x 35-1/4	1791 x 895	36	914	354	161
260	70-1/2 x 35-1/4	1791 x 895	48	1219	382	173

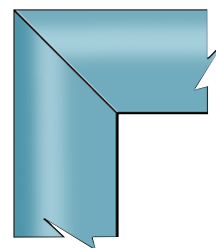


Single and triple basins available upon request.

Z885 System Highlights



Single Assembled Unit



Pre-Welded Piping

Engineering Specification Z885 Polyethylene Oil Separator. 1/4" thick polyethylene body complete with heavy-duty Dura-Coated steel frame and 1/4" thick steel diamond plate covers with medium-duty top loading classification. Four-inch diameter No-Hub inlet/outlet with 2" diameter No-Hub vent connections. Dimensions shown nominally for reference. Top of grate to center of outlet distance is 8" unless otherwise specified.