



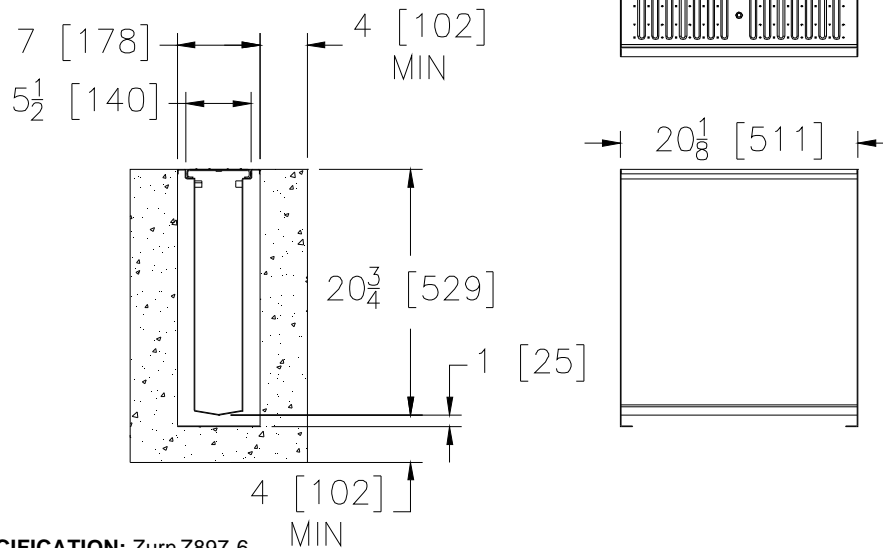
Z897-6

7 [178] WIDE REVEAL x 20-1/8 [511] LONG CATCH BASIN

TAG _____

Dimensional Data (inches and [mm]) are Subject to Manufacturing Tolerances and Change Without Notice

SPECIFYING ENGINEER IS RESPONSIBLE FOR
CONCRETE ENCASEMENT AND REINFORCING
BASED UPON APPLICATION AND LOCAL CODES



ENGINEERING SPECIFICATION: Zurn Z897-6

Catch Basin shall be 7 [178] wide reveal x 20-1/8 [511] long and 20 [508] deep. The body shall be made of 16ga. fabricated stainless steel conforming to ASTM A-240 (type 304). Catch basin shall weigh less than 20 bs.[9.1kg] per linear foot. Catch basin shall be provided with standard FS grates that lock down with lockdown bars to the basin. Zurn 6 [152] wide reveal Fabricated Stainless Steel Grate conforming to ASTM specification A-240, (type 304), is rated class A per the DIN EN1433 top load classification. Supplied in 40 [1016] nominal lengths with 5/16 [8] wide slots, and 3/4 [19] bearing depth. Grate has an open area of 12.0 sq. in per ft. [25,393 sq. mm per meter]. All welds must be performed by a certified welder per ASTM standard AWS D1.6. Channels shall be produced in the U.S.A.

PREFIX OPTIONS (Check/specify appropriate options)

___ Z Six inch by 20-inch, Type 304 Stainless Steel*

SUFFIX OPTIONS (Check/specify appropriate options)

Outlet Adapters Add/Each

___ E3	3 [76] No-Hub End Outlet	___ U3	3 [76] No-Hub Bottom Outlet
___ E4	4 [102] No-Hub End Outlet	___ U4	4 [102] No-Hub Bottom Outlet
___ E6	6 [152] No-Hub End Outlet	___ U6	6 [152] No-Hub Bottom Outlet

Grate Options (Load Classifications are per DIN EN1433)

___ BDC	Black Acid Resistant Epoxy Coated Ductile Grate - Class C
___ BDE	Black Acid Resistant Epoxy Coated Ductile Grate - Class E
___ DC	Ductile Iron Solid Cover - Class C
___ DGC	Ductile Iron Slotted Grate - Class C
___ DGE	Ductile Iron Slotted Grate - Class E
___ HPD	Heel-Proof Ductile Slotted Grate - Class C
___ HPDE	Heel-Proof Ductile Slotted Grate - Class E
___ HPP	Heel-Proof Polyethylene Grate - Class A
___ LD	Ductile Iron Longitudinal Slotted Grate - Class B
___ RFS	Reinforced Stainless Steel Slotted Grate - Class B
___ RPS	Reinforced Stainless Steel Perforated Grate - Class B
___ RFSC	Reinforced Slotted Stainless Steel Grate - Class C
___ RPSC	Reinforced Perforated Stainless Steel Grate - Class C
___ RPSRC	Reinforced Perforated Stainless Steel Reversed Punch Grate - Class C

Decorative Grate Options (Load Classifications are per DIN EN1433)

___ BCD	Bronze Circular Decorative Grate - Class A
___ BDD	Bronze Diagonal Decorative Grate - Class A
___ DCD	Ductile Iron Circular Decorative Grate - Class C
___ DDD	Ductile Iron Diagonal Decorative Grate - Class A
___ DOG	Ductile Iron Decorative Grate - Class A
___ DWV	Ductile Wave Decorative Grate - Class A
___ HPB	Heel-Proof Bronze Slotted Grate - Class A
___ HPS	Heel-Proof Stainless Steel Slotted Grate - Class A
___ SBG	Stainless Steel Bar Grate - Class E
___ SCD	Stainless Steel Circular Decorative Grate - Class B
___ SDD	Stainless Steel Diagonal Decorative Grate - Class B
___ SMG	Stainless Steel Steel Mesh Grate - Class A
___ SOG	Stainless Steel Decorative Grate - Class B

Miscellaneous Options

___ -VP Vandal-Proof Lockdown

MADE in the U.S.A. (Load Classifications are per DIN EN1433)

___ BDE	Black Acid Resistant Epoxy Coated Ductile Grate - Class E
___ DGC-USA	Ductile Iron Slotted Grate - Class C
___ DGE-USA	Ductile Iron Slotted Grate - Class E
___ FS	Fabricated Stainless Steel Slotted Grate - Class A *
___ PPC	Plastic Perforated Grate - Class C
___ PS	Perforated Stainless Steel Grate - Class A

Miscellaneous Options

___ -DB	Bottom Dome Strainer
___ -K	Anchor Flange
___ -KC	Clamp Collar and Pan
___ -Y	Sediment Bucket

Decorative MADE in the U.S.A. (Load Classifications are per DIN EN1433)

___ -BZ	Bronze Decorative Grate - Class A
___ -NBZ	Nickel Bronze Decorative Grate - Class A
___ -PSR	Perforated Stainless Steel Raised Grate - Class A
___ -SWG	Stainless Steel Wire Grate - Class A

*REGULARLY FURNISHED UNLESS OTHERWISE SPECIFIED

REV. B DATE: 05/09/12 C.N. NO. 124311

PROD/DWG. NO. Z897-6