

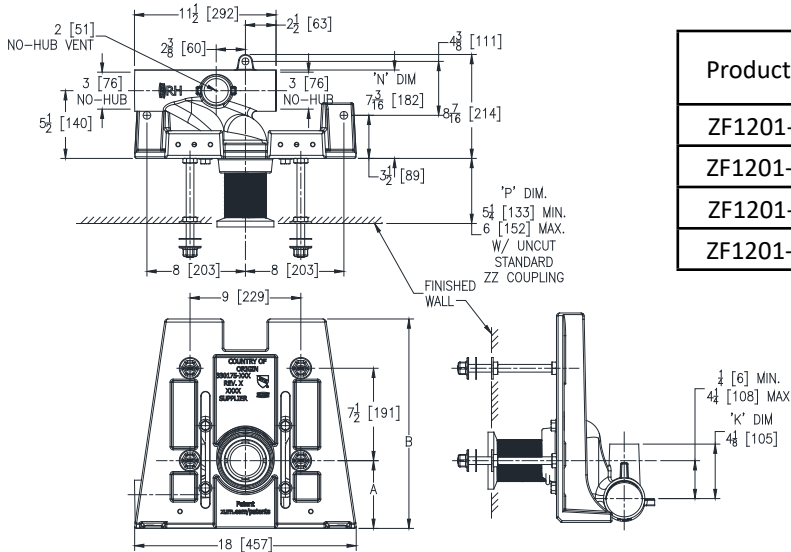


**ZF1201-U\_3-F\_**  
**ONE-PIECE COMBINATION FOOT/FACEPLATE**  
**EZCARRY® HORIZONTAL HIGH PERFORMANCE**  
**SIPHON JET NO-HUB WATER CLOSET CARRIER SYSTEM**

SPECIFICATION SHEET

TAG \_\_\_\_\_

Design and Dimensional Data (inches and [ mm ]) are Subject to Manufacturing Tolerances and Change Without Notice



Product Number	Approx. Wt. lbs [kg]	Dimensions in Inches [mm]	
		A	B
ZF1201-UL3-F55	68 [31]	5-1/2 [140]	17 [432]
ZF1201-UR3-F55			
ZF1201-UL3-F75		7-1/2 [191]	
ZF1201-UR3-F75			

- Note:**
- Cut 6 [152] adjustable coupling minimum "P" dimension obtainable = 2 [51]. EZSet™ coupling, minimum 'P' dimension obtainable = 4-1/4 [108] or 1-1/16 [27] for 12 [305] NPT.
  - For floor mounting, faceplate bolted to floor using 1/2 [13] diameter anchors.
  - For strut channel attachment, 3/8 [10] bolts recommended.
  - Rear anchor requirement is dependent on installation type. See installation instructions.

**ENGINEERING SPECIFICATION: ZURN ZF1201-U\_3-F\_**

EZCarry® one-piece combination floor mounted foot/faceplate horizontal siphon jet system supplied for ( ) rough-in height features high performance Dura-Coated cast iron main fitting with hydro-mechanically optimized sweep, 3" [76mm] no-hub connections, and extended 2" [51mm] vent. Faceplate enables prefabrication with strut channel or angle iron. Corrosion resistant adjustable 3" [76mm] diameter x 6" [152mm] coupling with integral test cap is designed to increase flow velocity and line carry. Labor saving Neo-Seal bonded gasket optimizes flow performance while reducing installation steps. Complete system includes one-piece combination foot/faceplate, heavy-duty 1/2" [13mm] rear anchor tie down (optional dependent on installation method, see intallation instructions), fixture bolts, trim and stud protectors. EZCarry® one-piece combination floor mounted foot/faceplate system complies with all applicable requirements of ASME A112.6.1M up to a 500 lb maximum static load.

**OPTIONS (Check/specify appropriate options)**

- \_\_\_ **ZF1201-UL3-F55** 3 [76] No-Hub Left Hand Inlet with Flow to Right with 5-1/2 [140] Non-Adjustable Rough-In Height
- \_\_\_ **ZF1201-UR3-F55** 3 [76] No-Hub Right Hand Inlet with Flow to Left with 5-1/2 [140] Non-Adjustable Rough-In Height
- \_\_\_ **ZF1201-UL3-F75** 3 [76] No-Hub Left Hand Inlet with Flow to Right with 7-1/2 [191] Non-Adjustable Rough-In Height
- \_\_\_ **ZF1201-UR3-F75** 3 [76] No-Hub Right Hand Inlet with Flow to Left with 7-1/2 [191] Non-Adjustable Rough-In Height

**PREFIXES**

- \_\_\_ **ZF** D.C.C.I. System with Zurn ZZ Adjustable Coupling\*
- \_\_\_ **ZQF** D.C.C.I. System with NPT Faceplate, Non-Adjustable Coupling

**SUFFIXES**

- \_\_\_ **-A** Auxiliary Support Assembly (For 'P' Dim. Greater than 18 [457])
- \_\_\_ **-CC** Corrosion Resistant Cast Iron Coupling (2-1/4 to 12 [57 to 305])
- \_\_\_ **-CE** EZ-Set™ Coupling (NPSM 6 [152] , 12 [305] or custom) (NPT 12 [305] or custom)
- \_\_\_ **-CL** Custom Length Standard Coupling with Integral Test Cap (Specify Length 4, 8, 10, 12 [102, 203, 254, 305])
- \_\_\_ **-CS** 2-1/4 [57] Polymer Coupling with Integral Test Cap (ZZ Coupling Only)
- \_\_\_ **-G** Galvanized Cast Iron
- \_\_\_ **-JC** 2 [51] Auxiliary Inlet with 1/8 [3] Bend
- \_\_\_ **-M** Auxiliary Foot Support (for 'P' Dim. 7 thru 18 [178 thru 457])
- \_\_\_ **-VP** Vandal-Proof Trim
- \_\_\_ **-45** Finishing Frame for Siphon Jet System

- ⚠ **WARNING:** Cancer and Reproductive Harm - [www.P65Warnings.ca.gov](http://www.P65Warnings.ca.gov)
- ⚠ **ADVERTENCIA:** Cáncer y daño reproductivo - [www.P65Warnings.ca.gov](http://www.P65Warnings.ca.gov)
- ⚠ **AVERTISSEMENT:** Cancer et effets néfastes sur la reproduction - [www.P65Warnings.ca.gov](http://www.P65Warnings.ca.gov)

Zurn Industries, LLC | Specification Drainage Operation  
 1801 Pittsburgh Avenue, Erie, PA 16502, Ph. 855.663.9876

In Canada | Zurn Industries Limited  
 7900 Goreway Drive, Unit 10, Brampton, Ontario L6T 5W6, Ph. 877.892.5216

[www.zurn.com](http://www.zurn.com)

Rev. C  
 Date: 4/20/2023  
 C.N. No. 145272  
 Patent [zurn.com/patents](http://zurn.com/patents)  
 Prod. | Dwg. No. ZF1201-U\_3-F\_