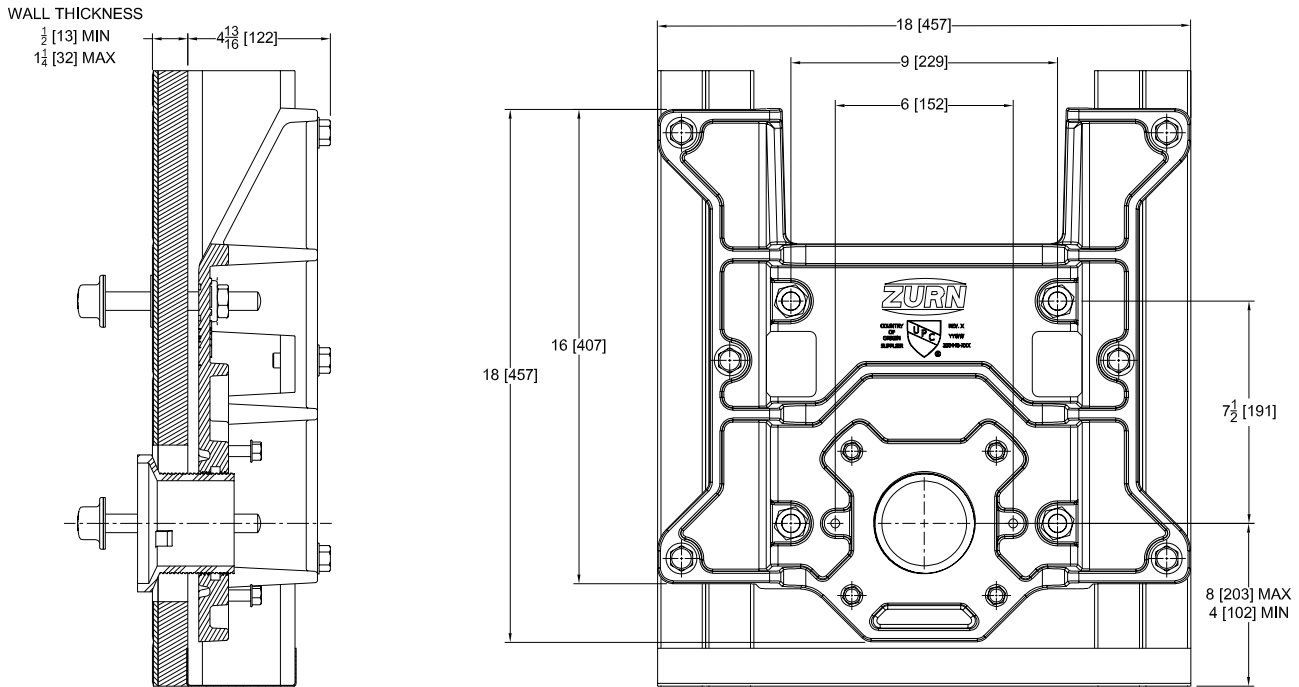




ZPWC1 ZURN POD PRO STUD SUPPORTED WATER CLOSET CARRIER

SPECIFICATION SHEET
TAG _____

Design and Dimensional Data (inches and [mm]) are Subject to Manufacturing Tolerances and Change Without Notice



ENGINEERING SPECIFICATION: ZURN ZPWC1

ZPWC1 ZURN POD PRO stud mounted horizontal or vertical siphon jet water closet carrier system comes with high performance waterway and 4" [102mm] no-hub connection. System includes a stud mounted universal faceplate designed for both wall mount and floor mount back outlet fixtures. Assembly also comes standard with fixture bolts, trim, bonded "Neo-Seal" gasket, and ABS adjustable 3" [76mm] dia. coupling intended for 1/2" [13mm] to 1-1/4" [32mm] finished wall thickness designed to increase flow velocity and line carry. ZPWC1 system has been load tested and rated up to a 500 lbs. [227 kg] static load rating to ASME A112.6.2-2017 when assembled to 18 Gauge 3-5/8" steel studs per the ZPWC1 installation instructions.

TRIM OPTIONS

____ ZPWC1 Wall Mount Bowl Trim*
 ____ ZPWC1-FMBO Floor Mount Back Outlet Bowl Trim

FITTING OPTIONS

____ -NL4 4 [102] No-Hub Left Hand Horizontal Cast Iron Fitting
 ____ -NR4 4 [102] No-Hub Right Hand Horizontal Cast Iron Fitting
 ____ -NV4 4 [102] No-Hub Vertical Cast Iron Fitting
 ____ -CI3 3 [76] No-Hub Universal Cast Iron Adapter
 ____ -CI4 4 [102] No-Hub Universal Cast Iron Adapter
 ____ -PV3 3 [76] Solvent Weld Universal PVC Adapter
 ____ -PV4 4 [102] Solvent Weld Universal PVC Adapter

SUFFIXES

____ -AT Rough In Height Adjustment Tool Qty: ____
 ____ -CC Corrosion Resistant Cast Iron Coupling (3-1/4 [83])
 ____ -CG Coupling Cut Guide Qty: ____

Structural Steel Wall Stud Requirements			
Gauge min	Depth in [mm]	Width in [mm]	Lip Length min in [mm]
18	3-5/8 [92]	1-5/8 [41]	1/2 [13]
Conforms to AISI S240 and/or ASTM C955			

* Regularly furnished unless otherwise specified

⚠ **WARNING:** Cancer and Reproductive Harm - www.P65Warnings.ca.gov

⚠ **ADVERTENCIA:** Cáncer y daño reproductivo - www.P65Warnings.ca.gov

⚠ **AVERTISSEMENT:** Cancer et effets néfastes sur la reproduction - www.P65Warnings.ca.gov

Zurn Industries, LLC | Specification Drainage Operation
 1801 Pittsburgh Avenue, Erie, PA 16502, Ph. 855.663.9876

In Canada | Zurn Industries Limited
 7900 Goreway Drive, Unit 10, Brampton, Ontario L6T 5W6, Ph. 877.892.5216

www.zurn.com

Rev. A
 Date: 8/7/2023
 C.N. No. 145460
 Patent zurn.com/patents
 Prod. | Dwg. No. ZPWC1 Page 1 of 5



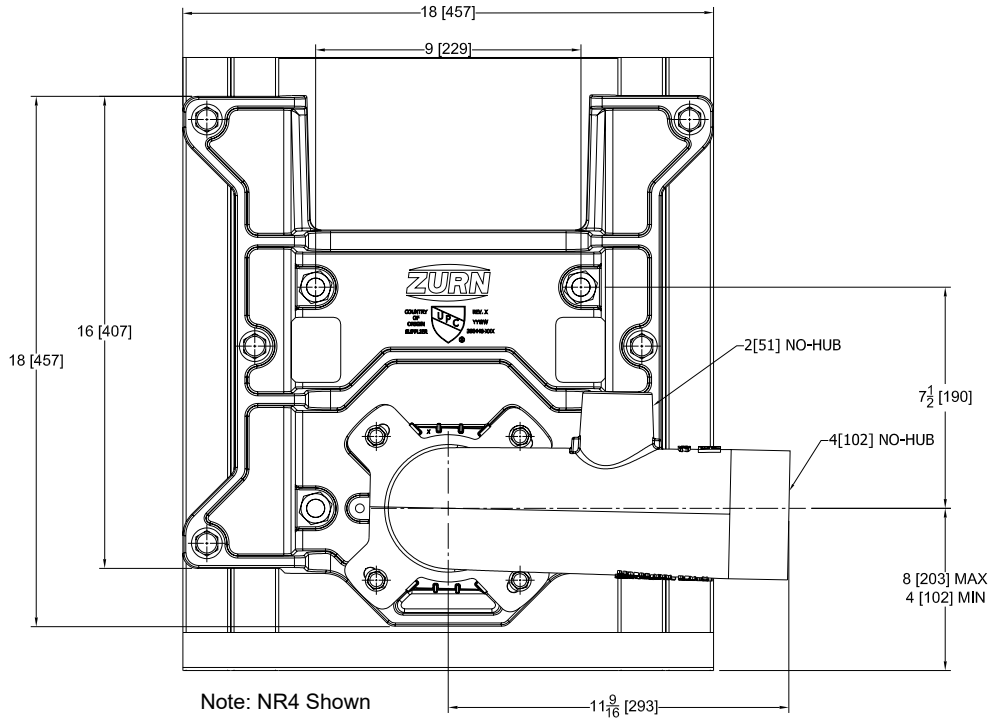
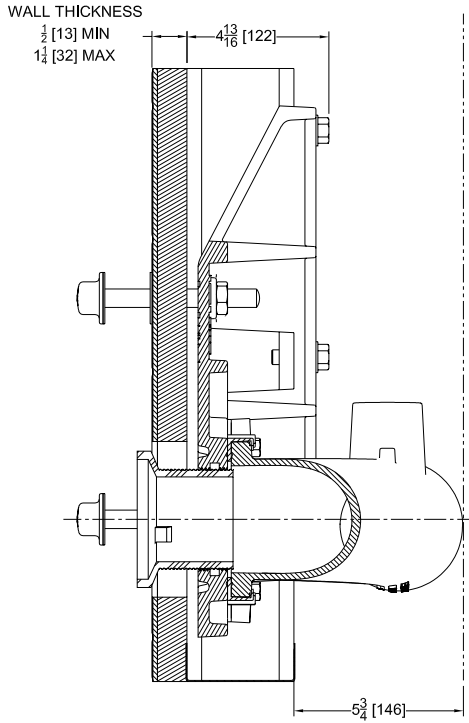
ZPWC1-NL4/NR4

ZURN POD PRO STUD SUPPORTED WATER CLOSET CARRIER WITH HORIZONTAL CAST IRON FITTING

SPECIFICATION SHEET

TAG _____

Design and Dimensional Data (inches and [mm]) are Subject to Manufacturing Tolerances and Change Without Notice



ENGINEERING SPECIFICATION: ZURN ZPWC1-NL4/NR4

ZPWC1 ZURN POD PRO stud mounted horizontal siphon jet water closet carrier system comes with high performance waterway and 4" [102mm] no-hub connection. System includes a horizontal Dura-Coated cast iron main fitting with hydro-mechanically optimized sweep 2" [51mm] no-hub vent, labor saving gasket, and stud mounted universal faceplate designed for both wall mount and floor mount back outlet fixtures. Assembly also comes standard with fixture bolts, trim, bonded "Neo-Seal" gasket, and ABS adjustable 3" [76mm] dia. coupling intended for 1/2" [13mm] to 1-1/4" [32mm] finished wall thickness designed to increase flow velocity and line carry. ZPWC1 system has been load tested and rated up to a 500 lbs. [227 kg] static load rating to ASME A112.6.2-2017 when assembled to 18 Gauge 3-5/8" steel studs per the ZPWC1 installation instructions.

TRIM OPTIONS

- ___ ZPWC1 Wall Mount Bowl Trim*
___ ZPWC1-FMBO Floor Mount Back Outlet Bowl Trim

FITTING OPTIONS

- ___ -NL4 4 [102] No-Hub Left Hand Horizontal Cast Iron Fitting
___ -NR4 4 [102] No-Hub Right Hand Horizontal Cast Iron Fitting

SUFFIXES

- ___ -AT Rough In Height Adjustment Tool Qty: ___
___ -CC Corrosion Resistant Cast Iron Coupling (3-1/4 [83])
___ -CG Coupling Cut Guide Qty: ___

Table with 4 columns: Gauge min, Depth in [mm], Width in [mm], Lip Length min in [mm]. Row 1: 18, 3-5/8 [92], 1-5/8 [41], 1/2 [13]. Row 2: Conforms to AISI S240 and/or ASTM C955

* Regularly furnished unless otherwise specified

WARNING: Cancer and Reproductive Harm - www.P65Warnings.ca.gov

ADVERTENCIA: Cáncer y daño reproductivo - www.P65Warnings.ca.gov

AVERTISSEMENT: Cancer et effets néfastes sur la reproduction - www.P65Warnings.ca.gov

Zurn Industries, LLC | Specification Drainage Operation
1801 Pittsburgh Avenue, Erie, PA 16502, Ph. 855.663.9876

In Canada | Zurn Industries Limited
7900 Goreway Drive, Unit 10, Brampton, Ontario L6T 5W6, Ph. 877.892.5216

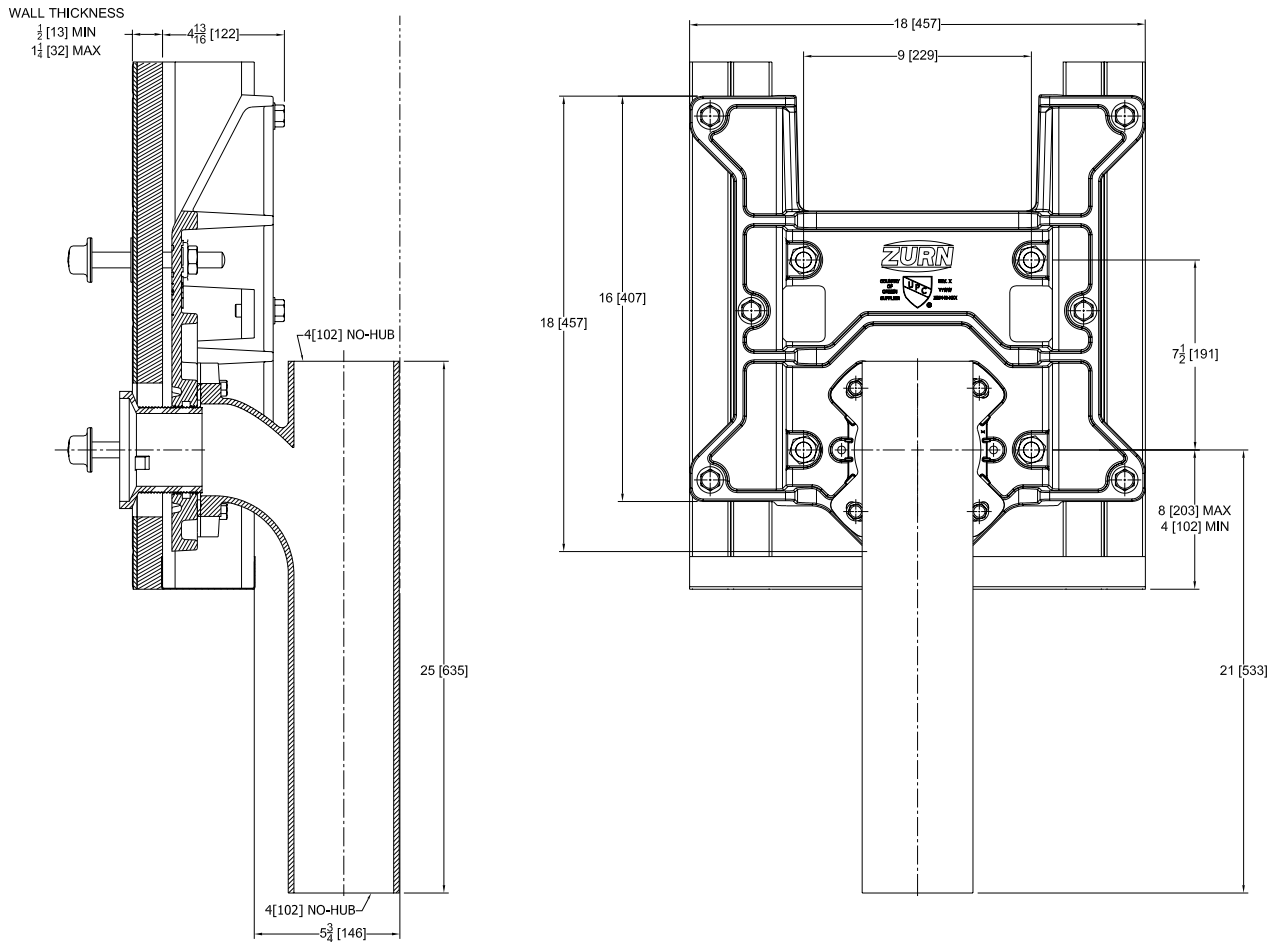
www.zurn.com

Rev. A
Date: 8/7/2023
C.N. No. 145460
Patent zurn.com/patents
Prod. | Dwg. No. ZPWC1 Page 2 of 5



ZPWC1-NV4
ZURN POD PRO STUD SUPPORTED WATER CLOSET
CARRIER WITH VERTICAL CAST IRON FITTING

Design and Dimensional Data (inches and [mm]) are Subject to Manufacturing Tolerances and Change Without Notice



ENGINEERING SPECIFICATION: ZURN ZPWC1-NV4

ZPWC1 ZURN POD PRO stud mounted vertical siphon jet water closet carrier system comes with high performance waterway and 4" [102mm] no-hub connection. System includes a vertical Dura-Coated cast iron main fitting with hydro-mechanically optimized sweep, labor saving gasket, and stud mounted universal faceplate designed for both wall mount and floor mount back outlet fixtures. Assembly also comes standard with fixture bolts, trim, bonded "Neo-Seal" gasket, and ABS adjustable 3" [76mm] dia. coupling intended for 1/2" [13mm] to 1-1/4" [32mm] finished wall thickness designed to increase flow velocity and line carry. ZPWC1 system has been load tested and rated up to a 500 lbs. [227 kg] static load rating to ASME A112.6.2-2017 when assembled to 18 Gauge 3-5/8" steel studs per the ZPWC1 installation instructions.

TRIM OPTIONS

- ___ ZPWC1 Wall Mount Bowl Trim*
- ___ ZPWC1-FMBO Floor Mount Back Outlet Bowl Trim

SUFFIXES

- ___ -AT Rough In Height Adjustment Tool Qty: _____
- ___ -CC Corrosion Resistant Cast Iron Coupling (3-1/4 [83])
- ___ -CG Coupling Cut Guide Qty: _____

Structural Steel Wall Stud Requirements			
Gauge min	Depth in [mm]	Width in [mm]	Lip Length min in [mm]
18	3-5/8 [92]	1-5/8 [41]	1/2 [13]
Conforms to AISI S240 and/or ASTM C955			

* Regularly furnished unless otherwise specified

⚠ WARNING: Cancer and Reproductive Harm - www.P65Warnings.ca.gov

⚠ ADVERTENCIA: Cáncer y daño reproductivo - www.P65Warnings.ca.gov

⚠ AVERTISSEMENT: Cancer et effets néfastes sur la reproduction - www.P65Warnings.ca.gov

Zurn Industries, LLC | Specification Drainage Operation
 1801 Pittsburgh Avenue, Erie, PA 16502, Ph. 855.663.9876

In Canada | Zurn Industries Limited
 7900 Goreway Drive, Unit 10, Brampton, Ontario L6T 5W6, Ph. 877.892.5216

Rev. A
 Date: 8/7/2023
 C.N. No. 145460
 Patent zurn.com/patents
 Prod. | Dwg. No. ZPWC1 Page 3 of 5

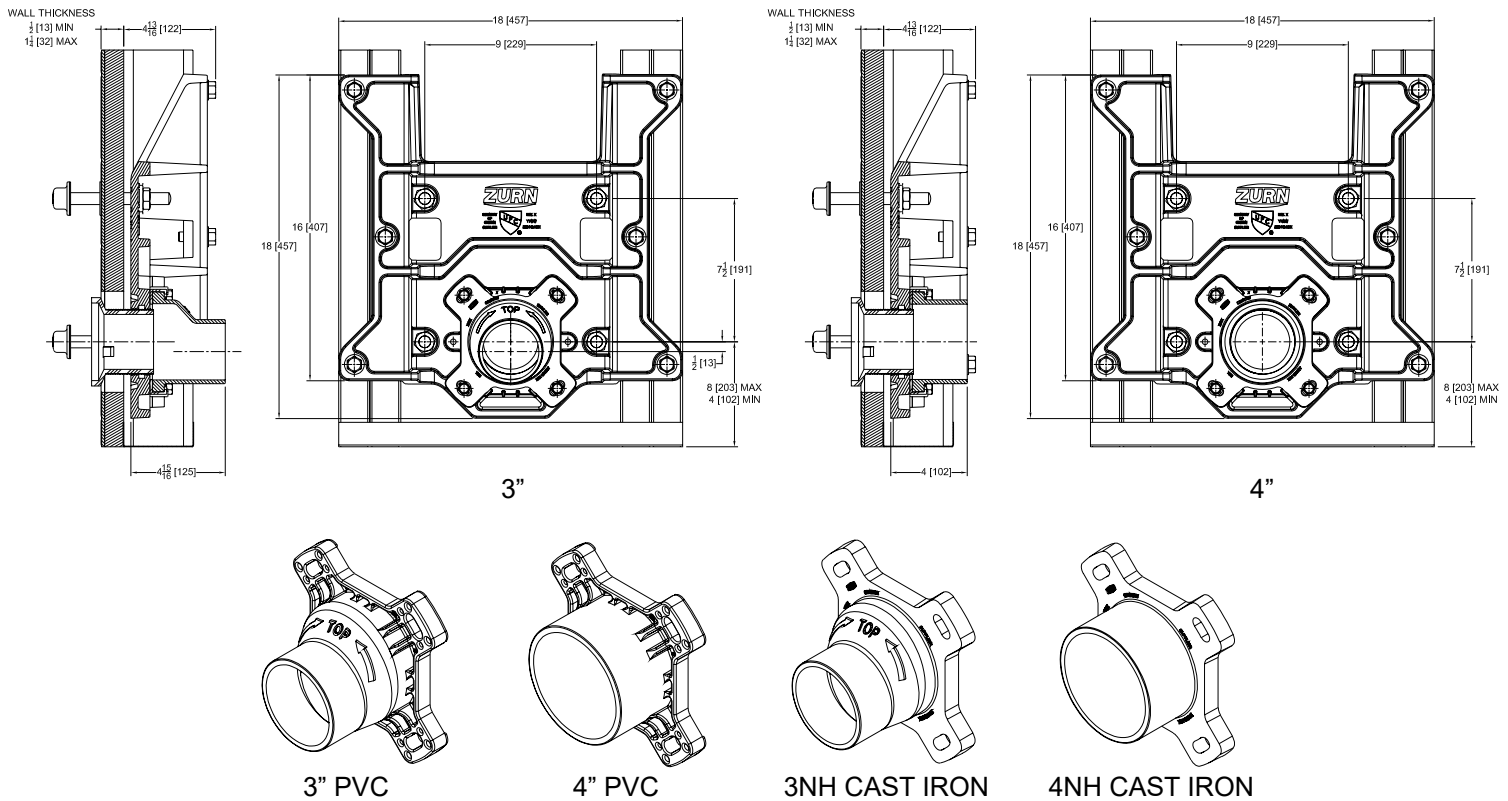


**ZPWC1-CI3/CI4/PV3/PV4
ZURN POD PRO STUD SUPPORTED WATER CLOSET
CARRIER WITH FITTING ADAPTER**

SPECIFICATION SHEET

TAG _____

Design and Dimensional Data (inches and [mm]) are Subject to Manufacturing Tolerances and Change Without Notice



ENGINEERING SPECIFICATION: ZURN ZPWC1-CI3/CI4/PV3/PV4

ZPWC1 ZURN POD PRO stud mounted horizontal or vertical siphon jet water closet carrier system comes with high performance waterway 3" or 4" [76mm or 102mm] no-hub or solvent weld connection. System includes a cast iron or PVC fitting adapter, labor saving gasket, and stud mounted universal faceplate designed for both wall mount and floor mount back outlet fixtures. Assembly also comes standard with fixture bolts, trim, bonded "Neo-Seal" gasket, and ABS adjustable 3" [76mm] dia. coupling intended for 1/2" [13mm] to 1-1/4" [32mm] finished wall thickness designed to increase flow velocity and line carry. ZPWC1 system has been load tested and rated up to a 500 lbs. [227 kg] static load rating to ASME A112.6.2-2017 when assembled to 18 Gauge 3-5/8" steel studs per the ZPWC1 installation instructions.

TRIM OPTIONS

- ___ ZPWC1 Wall Mount Bowl Trim*
- ___ ZPWC1-FMBO Floor Mount Back Outlet Bowl Trim

FITTING OPTIONS

- ___ -CI3 3 [76] No-Hub Universal Cast Iron Adapter
- ___ -CI4 4 [102] No-Hub Universal Cast Iron Adapter
- ___ -PV3 3 [76] Solvent Weld Universal PVC Adapter
- ___ -PV4 4 [102] Solvent Weld Universal PVC Adapter

SUFFIXES

- ___ -AT Rough In Height Adjustment Tool Qty: _____
- ___ -CC Corrosion Resistant Cast Iron Coupling (3-1/4 [83])
- ___ -CG Coupling Cut Guide Qty: _____

* Regularly furnished unless otherwise specified

- ⚠ WARNING:** Cancer and Reproductive Harm - www.P65Warnings.ca.gov
- ⚠ ADVERTENCIA:** Cáncer y daño reproductivo - www.P65Warnings.ca.gov
- ⚠ AVERTISSEMENT:** Cancer et effets néfastes sur la reproduction - www.P65Warnings.ca.gov

Zurn Industries, LLC | Specification Drainage Operation
1801 Pittsburgh Avenue, Erie, PA 16502, Ph. 855.663.9876

In Canada | Zurn Industries Limited
7900 Goreway Drive, Unit 10, Brampton, Ontario L6T 5W6, Ph. 877.892.5216

www.zurn.com

Structural Steel Wall Stud Requirements			
Gauge min	Depth in [mm]	Width in [mm]	Lip Length min in [mm]
18	3-5/8 [92]	1-5/8 [41]	1/2 [13]
Conforms to AISI S240 and/or ASTM C955			

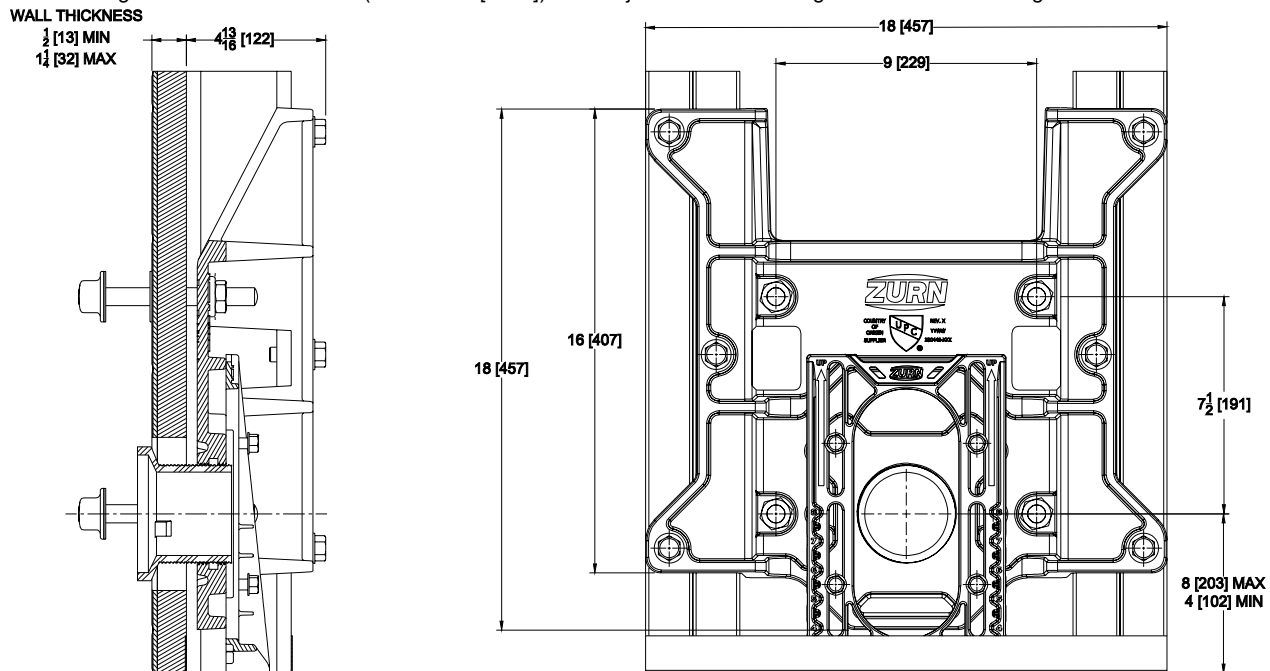
Rev. A
Date: 8/7/2023
C.N. No. 145460
Patent zurn.com/patents
Prod. | Dwg. No. ZPWC1 Page 4 of 5



ZPWC1-AT ZURN POD PRO STUD SUPPORTED WATER CLOSET CARRIER WITH ROUGH IN HEIGHT ADJUSTMENT TOOL

SPECIFICATION SHEET
TAG _____

Design and Dimensional Data (inches and [mm]) are Subject to Manufacturing Tolerances and Change Without Notice



ENGINEERING SPECIFICATION: ZURN ZPWC1-AT

ZPWC1 ZURN POD PRO stud mounted horizontal or vertical siphon jet water closet carrier system comes with high performance waterway and 4" [102mm] no-hub connection. System includes a horizontal or vertical Dura-Coated cast iron main fitting with hydro-mechanically optimized sweep, labor saving gasket, and stud mounted universal faceplate designed for both wall mount and floor mount back outlet fixtures. Assembly also comes standard with fixture bolts, trim, bonded "Neo-Seal" gasket, and ABS adjustable 3" [76mm] dia. coupling intended for 1/2" [13mm] to 1-1/4" [32mm] finished wall thickness designed to increase flow velocity and line carry. This assembly also includes the rough in height adjustment tool designed to help hold the faceplate in place at the desired rough in height to provide a quick and easy installation. ZPWC1 system has been load tested and rated up to a 500 lbs. [227 kg] static load rating to ASME A112.6.2-2017 when assembled to 18 Gauge 3-5/8" steel studs per the ZPWC1 installation instructions.

TRIM OPTIONS

- ___ZPWC1 Wall Mount Bowl Trim*
___ZPWC1-FMBO Floor Mount Back Outlet Bowl Trim

FITTING OPTIONS

- ___-NL4 4 [102] No-Hub Left Hand Horizontal Cast Iron Fitting
___-NR4 4 [102] No-Hub Right Hand Horizontal Cast Iron Fitting
___-NV4 4 [102] No-Hub Vertical Cast Iron Fitting
___-CI3 3 [76] No-Hub Universal Cast Iron Adapter
___-CI4 4 [102] No-Hub Universal Cast Iron Adapter
___-PV3 3 [76] Solvent Weld Universal PVC Adapter
___-PV4 4 [102] Solvent Weld Universal PVC Adapter

SUFFIXES

- ___-CC Corrosion Resistant Cast Iron Coupling (3-1/4 [83])
___-CG Coupling Cut Guide Qty: ___

Structural Steel Wall Stud Requirements			
Gauge min	Depth in [mm]	Width in [mm]	Lip Length min in [mm]
18	3-5/8 [92]	1-5/8 [41]	1/2 [13]
Conforms to AISI S240 and/or ASTM C955			

* Regularly furnished unless otherwise specified

⚠ WARNING: Cancer and Reproductive Harm - www.P65Warnings.ca.gov

⚠ ADVERTENCIA: Cáncer y daño reproductivo - www.P65Warnings.ca.gov

⚠ AVERTISSEMENT: Cancer et effets néfastes sur la reproduction - www.P65Warnings.ca.gov

Zurn Industries, LLC | Specification Drainage Operation
1801 Pittsburgh Avenue, Erie, PA 16502, Ph. 855.663.9876

In Canada | Zurn Industries Limited
7900 Goreway Drive, Unit 10, Brampton, Ontario L6T 5W6, Ph. 877.892.5216

www.zurn.com

Rev. A
Date: 8/7/2023

C.N. No. 145460

Patent zurn.com/patents

Prod. | Dwg. No. ZPWC1